



Quanzhou Smarts Electronic & Technology Co.,Ltd
 泉州斯玛斯电子科技有限公司



DIMMABLE LED DRIVER

- ELV/MLV/Triac Dim LED Transformer
- Triac & 0-10V(5 in 1)Dim. LED Driver
 - CSA-J Series CSA-H-J Series
 - CTA-J Series CTA-H-J Series
 - DSD-J Series DSD-H-J Series
 - HZA-J Series HZA-H-J Series
 - SHA-J Series SHA-H-J Series
 - PMA-J Series PMA-H-J Series
 - VRA-J Series VRA-H-J Series



WeChat



Web1



ELV/MLV/Triac Dim Constant Voltage

ELV/MLV/Triac Dim Constant Voltage LED Electronic Transformer

ELV/MLV/可控硅调光恒压LED电子变压器

Features

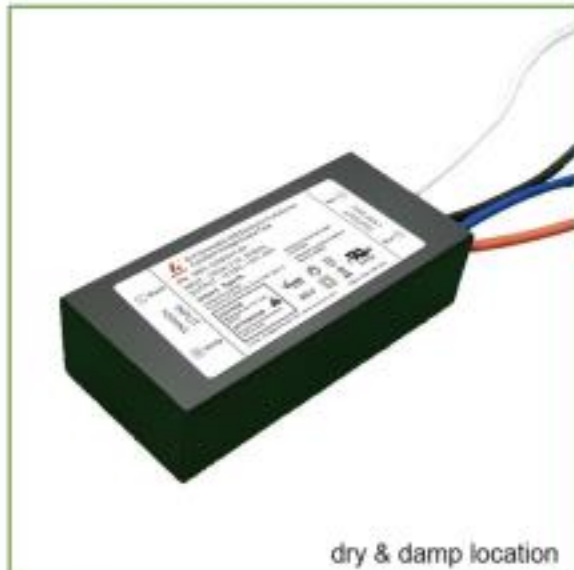
特性

- | | |
|--|--|
| <ul style="list-style-type: none"> ● Dimming Mode: Triac/ ELV/ MLV dimming ● 120Vac Input, 0-100% Dimming Range ● THD<20%@120V Max. load ● Build in active PFC, typical power factor=0.98 ● Super low loading request, works perfect at 20-100% load. ● Short-circuit, over-load protection. ● Aluminum housing, for dry,damp,wet ● UL, FCC, Class 2, Type HL, 5 years warranty ● Compatible with popular dimmers in the market, ● Lutron-CL, Diva series and so on | <p>调光方式: Triac/ELV/MLV调光</p> <p>120Vac 输入, 0-100%调光范围</p> <p>THD<20%@120V Max. 加载</p> <p>内置有源PFC, 典型功率因数=0.98</p> <p>超低负载要求, 20-100%负载下完美运行。</p> <p>短路、过载保护。</p> <p>铝制外壳, 适用于干燥、潮湿的地方</p> <p>UL、FCC、2类、Type HL、5年质保</p> <p>兼容市场上流行的调光器, Lutron-CL、Diva系列等</p> |
|--|--|

Optional Shell

可选外壳

SET- XXYYA



dry & damp location

DC 12V 24V , 60W 96W
Aluminum IP67

SET- XXYYB



dry & damp location

DC 12V 24V , 60W 96W
Aluminum

SET- XXYYJ



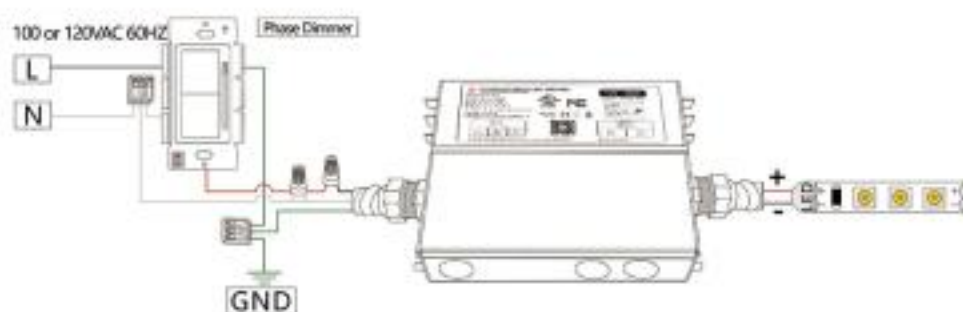
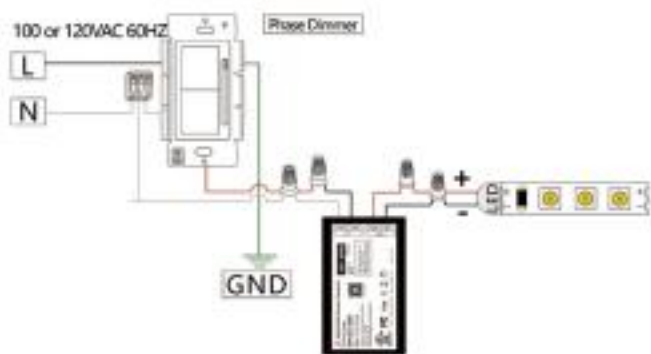
dry,damp,wet

DC 12V 24V , 60W 96W 120W 180W 192W 288W
Built-in Junction Box
Metal Housing

Model 型号	Cover Material 外壳材质	Output Voltage 输出电压 (Vdc)	Output Current 输出电流 (Amp)	Output power 输出功率 (Watt)	Product Size 尺寸 (mm)	N/W 净重 (g)	
SET-12060A	Aluminum(IP67)	12V	5.0A	60W	72*39*22.5	160	
SET-24060A		24V	2.5A	60W	72*39*22.5	160	
SET-24096A		24V	4.0A	96W	84*40*25	160	
LED Electronic Transformer Paired with separate Junction Box							
SET-12060B	Aluminum	12V	5A	60W	106*89*33.5	350	
SET-24060B		24V	2.5A	60W	106*89*33.5	350	
SET-24096B		24V	4A	96W	106*89*33.5	350	
LED Electronic Transformer & Junction Box combined together (2 in 1)							
SET-12060J	Metal Housing (NEMA 4X)	12V	5A	60W	128*120.5*42	800	
SET-24060J		24V	2.5A	60W	128*120.5*42	800	
SET-24096J		24V	4A	96W	128*120.5*42	800	
SET-12120J		12V	10A	120W	188*120.5*42	1100	
SET-24120J		24V	5A	120W	188*120.5*42	1100	
SET-12150J		12V	12.5A	150W	188*120.5*42	1100	
SET-24150J		24V	6.25A	150W	188*120.5*42	1100	
SET-12200J		12V	16.67A	200W	188*120.5*42	1100	
SET-24200J		24V	8.33A	200W	188*120.5*42	1100	
SET-12300J		12V	25A	300W	258*120.5*42	1500	
SET-24300J		24V	12.5A	300W	258*120.5*42	1500	
High Power Class 2 120W-288W							
SET-12120J		Metal Housing (NEMA 4X)	12V	5A*2	60W*2	188*120.5*42	1100
SET-12180J	12V		5A*3	60W*3	258*120.5*42	1500	
SET-24192J	24V		4A*2	96W*2	188*120.5*42	1100	
SET-24288J	24V		4A*3	96W*3	258*120.5*42	1500	

Wiring Diagram

接线图



High Power Class 2 (e.g.: 288W)



CSA-J Series CSA-H-J Series (Class 2)

CCT & 5 in 1 (Triac, 0-10V, 1-10V, 10V PWM, Potentiometer) Dim. C.V. J-Box LED Driver

(Output Voltage Fine Tune Available / 2700K-6500K Color Temperature adjustable)

5 合 1 双色调光恒压壳机一体电源 【CSA-J · CSA-H-J 系列】 【输出电压可微调 / 2700K-6500K 色温可选】

Features 特性

- | | |
|---|--|
| <ul style="list-style-type: none"> ★ Dim-all: CCT & Triac/0-10V/1-10V/10VPWM/Potentiometer ● Universal input: 110-277Vac ● Dimming effect: <ul style="list-style-type: none"> PWM dim mode: 100-0.1% dim, flicker-free Triac dim mode: Forward phase & reverse phase, MLV, ELV dim ★ CCT-Tunable: switch on/off (Switching color temp) / Linear adjustment of color temperature & 7 stops color temperature adjustable (2700K-6500K). ● With unique knob trim voltage function ● Wet, damp, and dry location, ● Title 24 JA8 compliant ● Build in active PFC, typical power factor>0.95, THD<10%@120V Max. load. ● Super low loading request, works perfect at 10-100% load. ● Short-circuit, over-temperature, over-load protection. ● UL cUL listed, Class 2, Class P, FCC, NEMA 4X, RoHs | <ul style="list-style-type: none"> ★ 调光方式: CCT可控硅/0-10V/1-10V/10V PWM/电阻调光 通用输入: 110-277Vac 调光效果: <ul style="list-style-type: none"> PWM 调光模式: 100-0.1% 调光, 无闪烁 可控硅调光模式: 正相和反相、MLV、ELV 调光 ★ CCT-Tunable: 打开/关闭 (切换色温) / 色温线性调节和 7档色温可选 (2700K-6500K) 。 具有独特的旋钮微调电压功能 适用于潮湿和干燥的位置 兼容Title 24, JA8标准 内置有源PFC, 典型功率因数>0.95, THD<10% @120V Max. load 超低负载要求, 在 10-100% 负载下完美运行 短路、过温、过载保护 认证: UL/cUL, Class 2, Class P, FCC, NEMA 4X, ROHS |
|---|--|

Selling Points 卖点

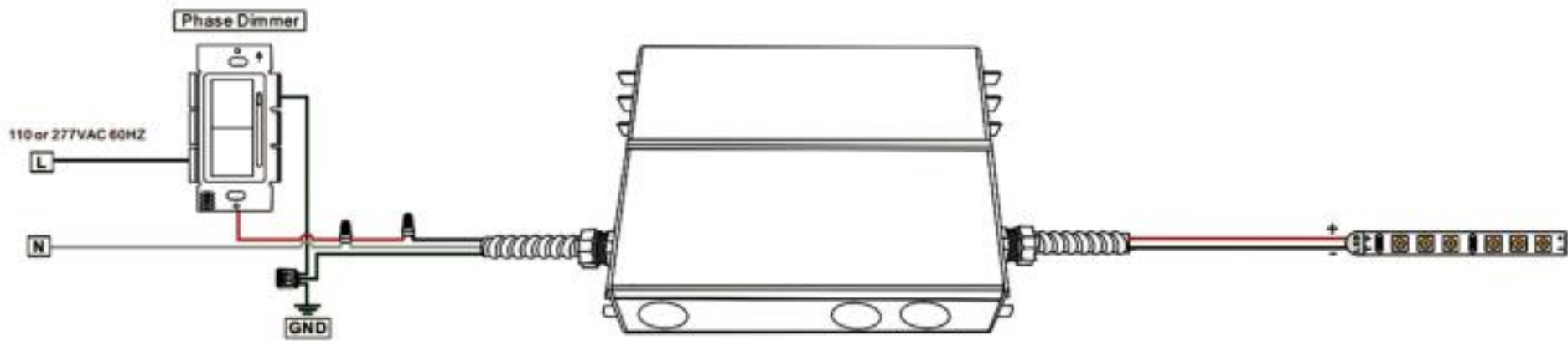
- | | |
|---|--|
| <ul style="list-style-type: none"> ● 1) PWM Output: 4k/HZ Constant frequency (Different frequencies can be customized:250-20000Hz) ● 2) Dimming range: 100%-0.1% Ultra Deep Amplitude ● 3) Works with single channel LED strip/tape (2 wires) and two channel CCT warm-dim LED strip/tape (3 wires) ● 4) Exclusive patent design of "Clamshell" junction box (Fixed without screws) | <ul style="list-style-type: none"> 1) PWM输出: 4k/HZ恒定频率 (可定制不同频率: 250-20000Hz) 2) 调光范围: 100%-0.1%超深幅度 3) 适用于单通道 LED 灯条/2线芯LED灯带和两通道 CCT 冷暖调光 LED 灯条/3线芯LED灯带 4) 独家 "Clamshell" 接线盒专利设计 (无需螺丝固定) |
|---|--|

Model 型号	Cover Material 外壳材质	Output Voltage 输出电压 (Vdc)	Output Current 输出电流 (Amp)	Output power 输出功率 (Watt)	Product Size 尺寸 (mm)	N/W 净重 (g)
CSA-12030J	Metal Housing (NEMA 4X)	12V(9-13Vadjustable)	2.5A	30W	158*120.5*42	750
CSA-24030J		24V(17-25Vadjustable)	1.25A			
CSA-48030J		48V(36-49Vadjustable)	0.63A			
CSA-12060J		12V(9-13Vadjustable)	5A	60W	158*120.5*42	750
CSA-24060J		24V(17-25Vadjustable)	2.5A			
CSA-48060J		48V(36-49Vadjustable)	1.25A			
CSA-12080J		12V(9-13Vadjustable)	6.6A	80W	188*120.5*42	1100
CSA-24080J		24V(17-25Vadjustable)	3.3A			
CSA-48080J		48V(36-49Vadjustable)	1.66A			
CSA-24096J		24V(17-25Vadjustable)	4A	96W	188*120.5*42	1100
CSA-48096J		48V(36-49Vadjustable)	2A			
CSA-12100J		12V(9-13Vadjustable)	8.33A	100W	188*120.5*42	1100
CSA-24100J		24V(17-25Vadjustable)	4.17A			
CSA-48100J		48V(36-49Vadjustable)	2.08A			
CSA-12120J		12V(9-13Vadjustable)	10A	120W	218*120.5*42	1100
CSA-24120J		24V(17-25Vadjustable)	5A			
CSA-48120J		48V(36-49Vadjustable)	2.5A			
CSA-12150J		12V(9-13Vadjustable)	12.5A	150W	218*120.5*42	1500
CSA-24150J		24V(17-25Vadjustable)	6.25A			
CSA-48150J		48V(36-49Vadjustable)	3.125A			
CSA-12200J		12V(9-13Vadjustable)	16.67A	200W	218*120.5*42	1500
CSA-24200J		24V(17-25Vadjustable)	8.33A			
CSA-48200J		48V(36-49Vadjustable)	4.17A			
CSA-12300J		12V(9-13Vadjustable)	25A	300W	258*120.5*42	1500
CSA-24300J		24V(17-25Vadjustable)	12.5A			
CSA-48300J		48V(36-49Vadjustable)	6.25A			
High Power Class 2			120W-384W			
CSA-H12120J	Metal Housing (NEMA 4X)	12V(9-13Vadjustable)	2CH*5A	2CH*60W	218*120.5*42	1100
CSA-H24120J		24V(17-25Vadjustable)	2CH*2.5A	2CH*60W	218*120.5*42	1100
CSA-H12180J		12V(9-13Vadjustable)	3CH*5A	3CH*60W	218*120.5*42	1100
CSA-H24192J		24V(17-25Vadjustable)	2CH*4A	2CH*96W	218*120.5*42	1100
CSA-H48192J		48V(36-49Vadjustable)	2CH*2A	2CH*96W	218*120.5*42	1100
CSA-H24288J		24V(17-25Vadjustable)	3CH*4A	3CH*96W	258x120.5x42	1500
CSA-H48288J		48V(36-49Vadjustable)	3CH*2A	3CH*96W	258x120.5x42	1500
CSA-H12300J		12V(9-13Vadjustable)	5CH*5A	5CH*60W	258x120.5x42	1500
CSA-H24384J		24V(17-25Vadjustable)	4CH*4A	4CH*96W	258x120.5x42	1500
CSA-H48384J		48V(36-49Vadjustable)	4CH*2A	4CH*96W	258x120.5x42	1500

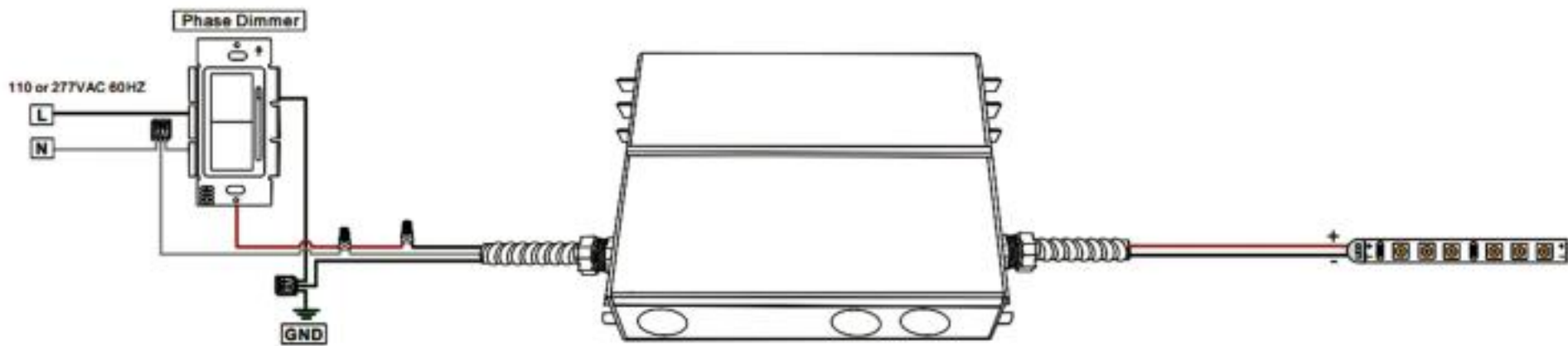
Wiring Diagram (Works with single channel Linear LED strip/tape (2 wires))

接线图 (与单通道线性 LED 灯条/2线芯LED 灯带 配合使用)

1) Using Triac / MLV wiring diagram 使用 Triac/MLV 接线图

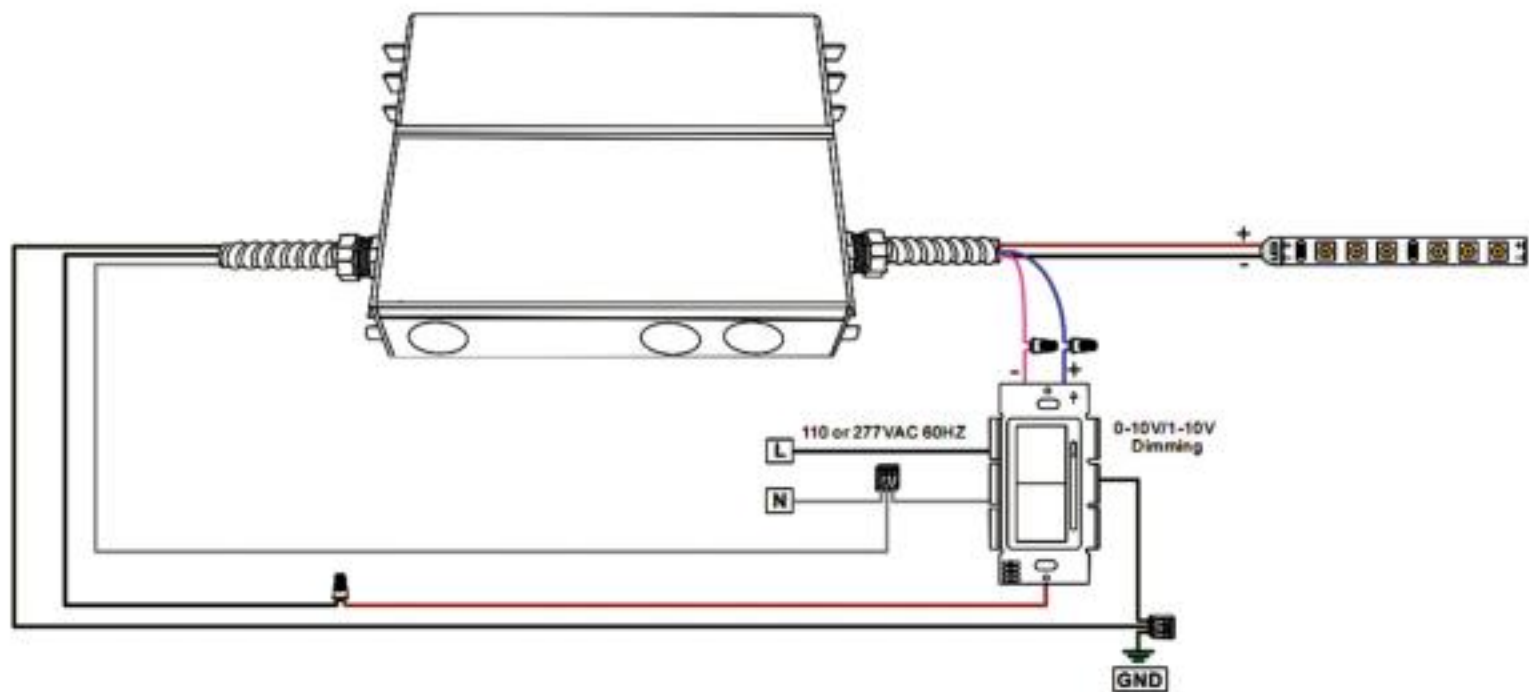


2) Using Triac / ELV wiring diagram 使用 Triac/ELV 接线图



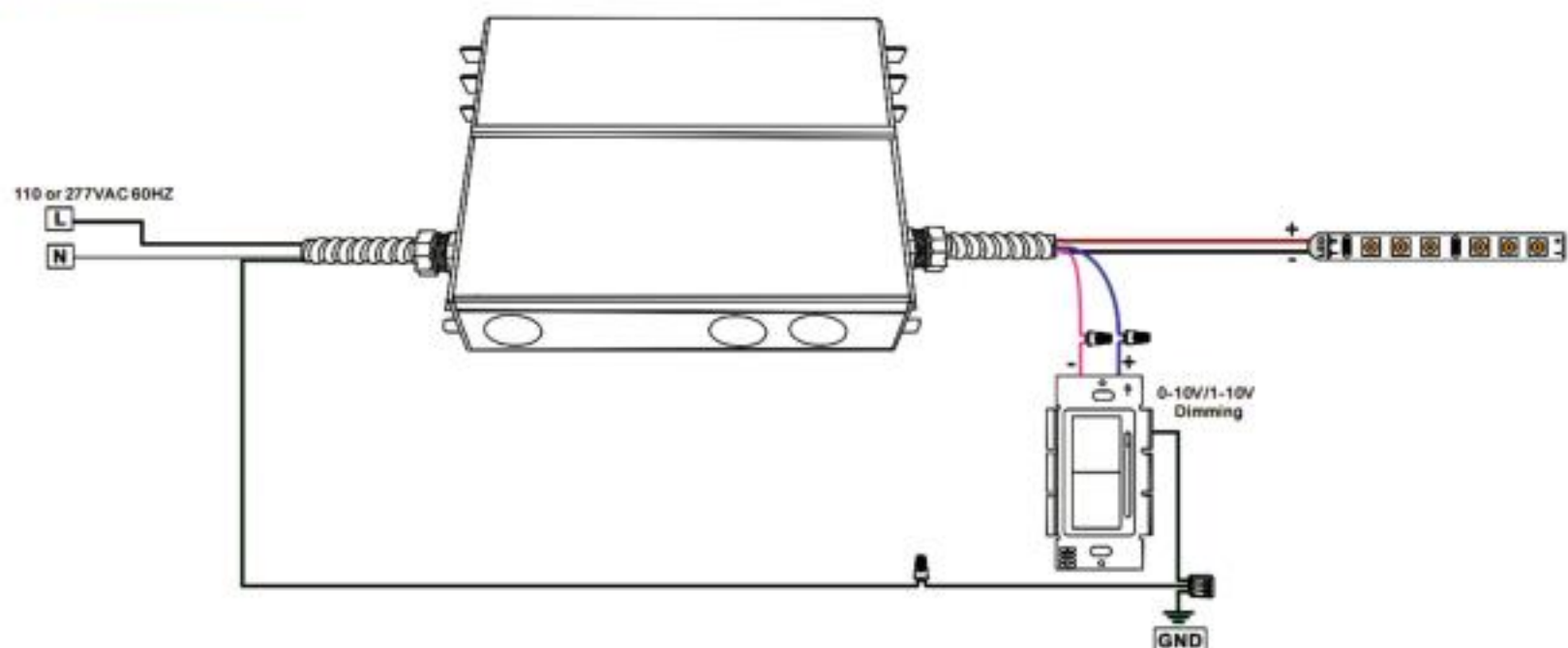
3) Using 0-10V/1-10V Dimming (The driver input is connected to the dimmer)

使用0-10V/1-10V调光 (驱动输入连接调光器)



4) Using 0-10V/1-10V Dimming (The driver is independently connected to the input)

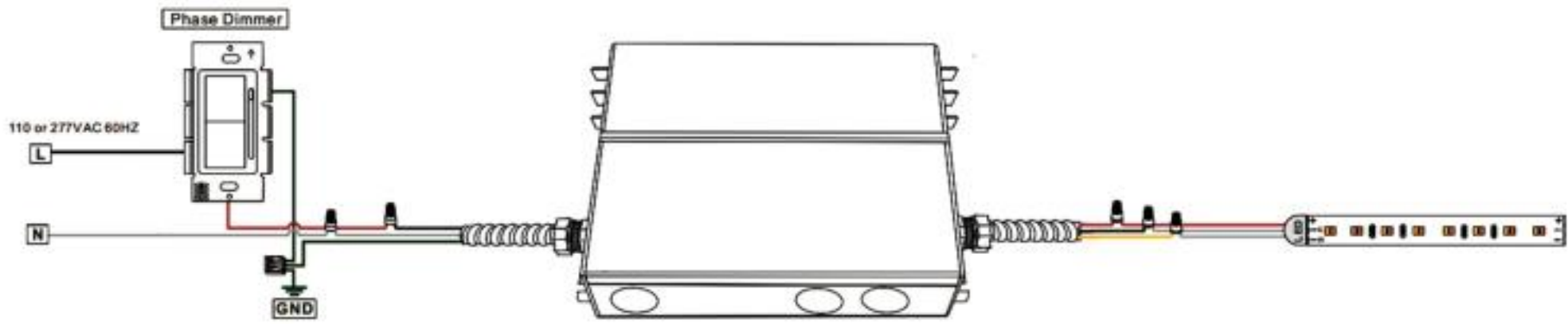
使用0-10V/1-10V调光 (驱动器独立连接输入)



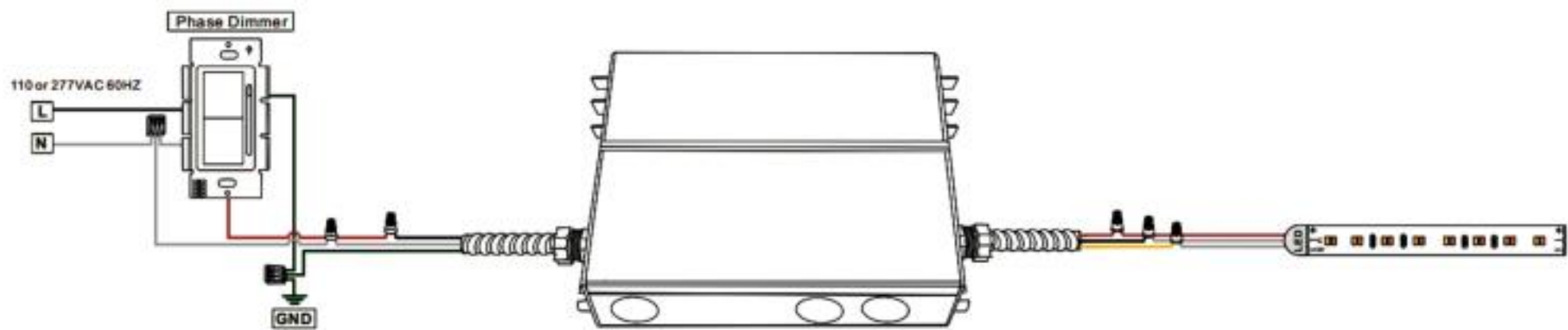
Wiring Diagram (Works with Two channel CCT warm-dim LED strip/tape (3 wires))

接线图 (适用于两通道 CCT 冷暖调光 LED 灯条/3线芯LED 灯带)

1) Using Triac / MLV wiring diagram 使用 Triac/MLV 接线图

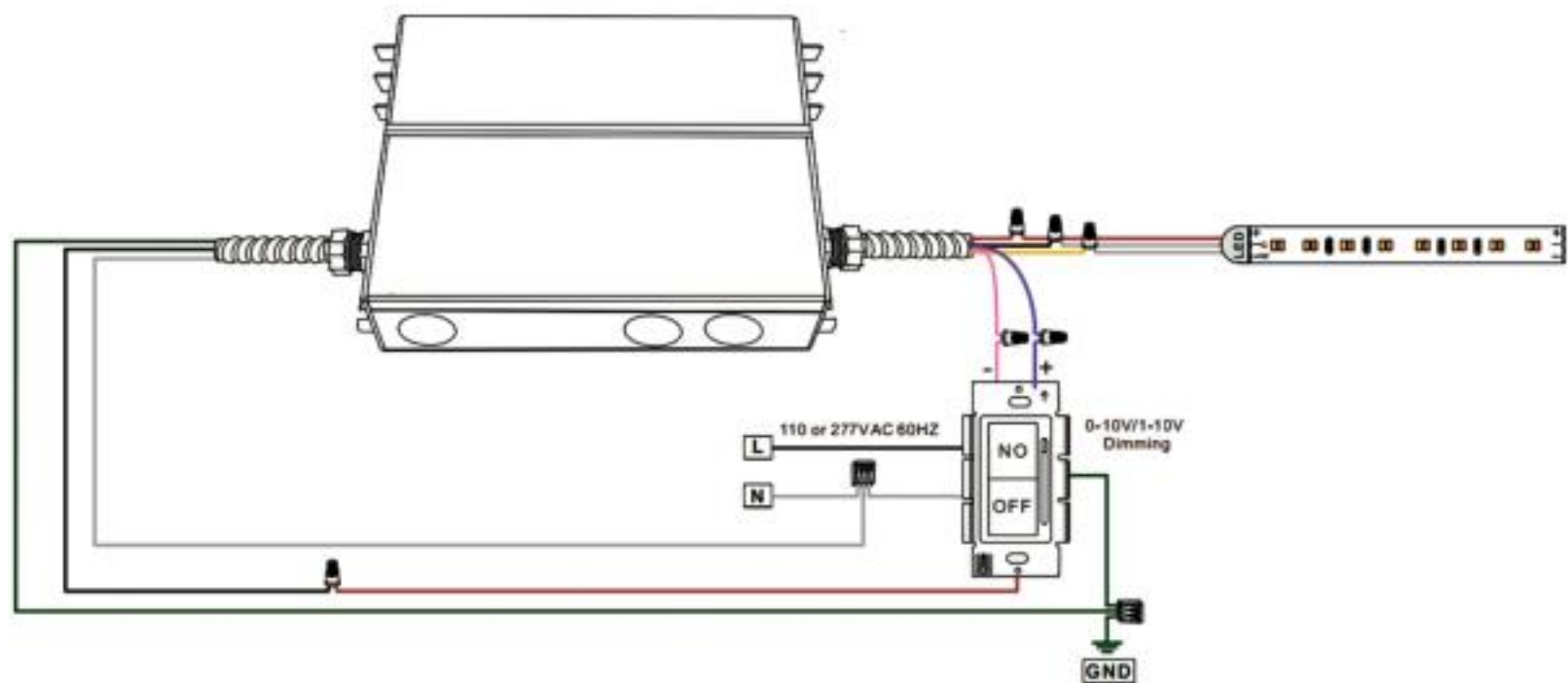


2) Using Triac / ELV wiring diagram 使用 Triac/ELV 接线图



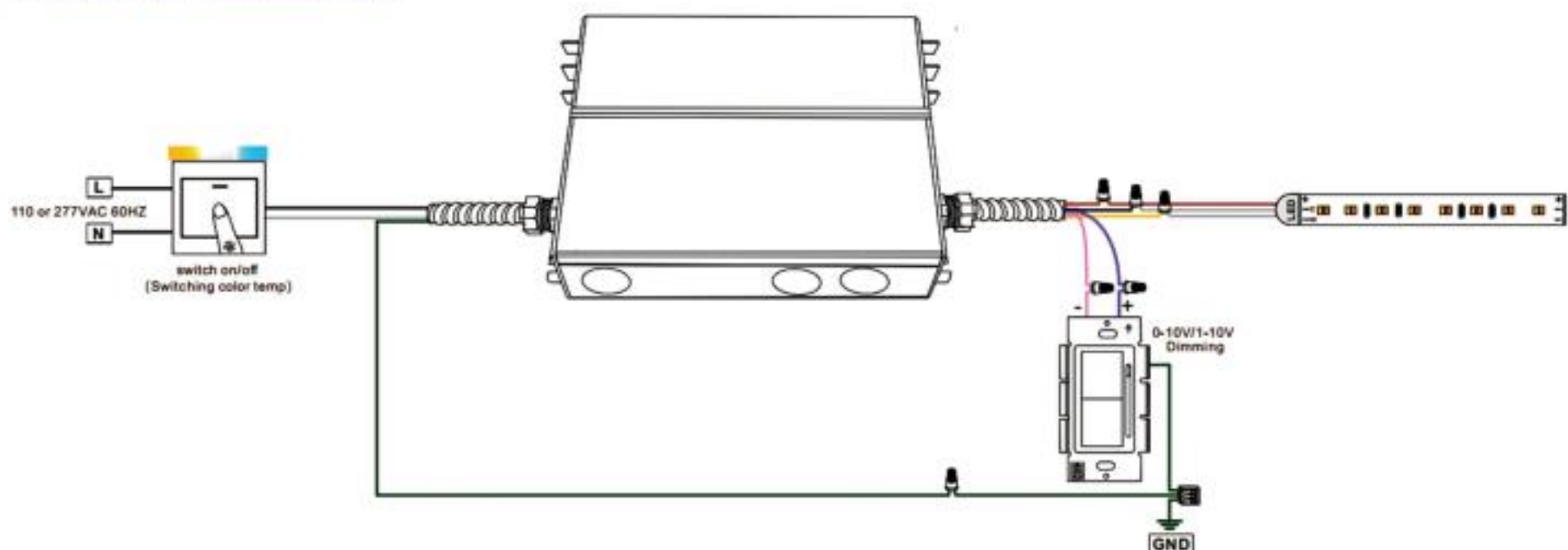
3) Using 0-10V/1-10V Dimming (The driver input is connected to the dimmer)

使用0-10V/1-10V调光 (驱动输入连接调光器)



4) Using 0-10V/1-10V Dimming (The driver is independently connected to the input)

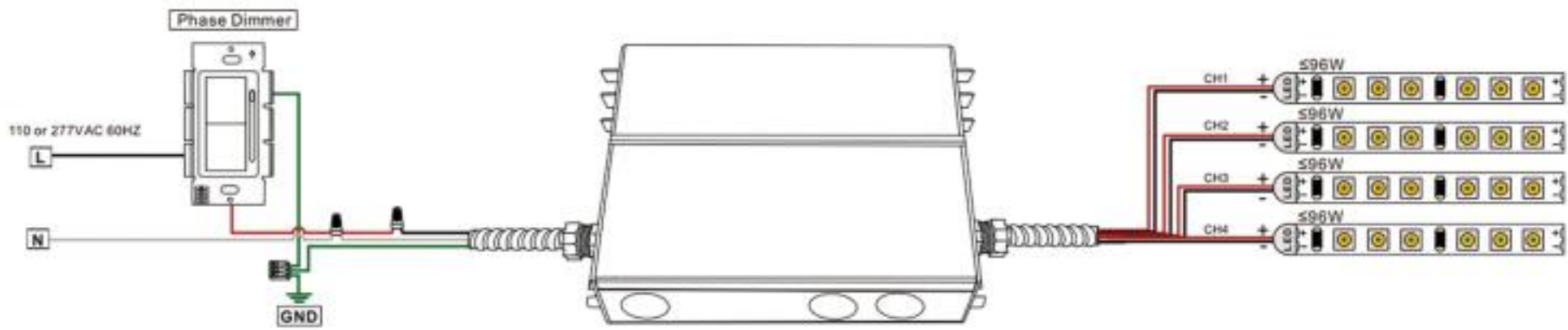
使用0-10V/1-10V调光 (驱动器独立连接输入)



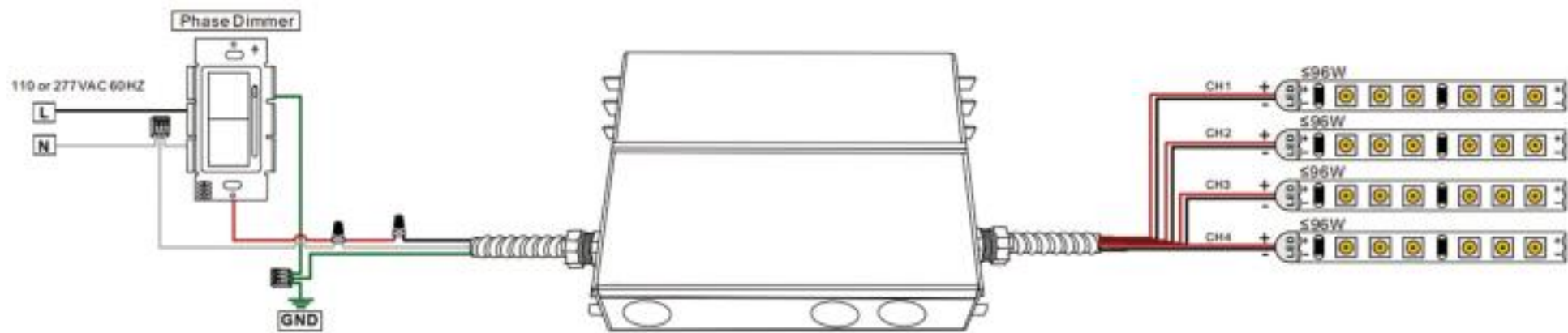
Wiring Diagram (e.g.: Following is the wiring diagram of high power class 2 LED Driver 384W)

接线图 (例如： 以下是384W LED驱动器接线图)

1) Using Triac / MLV wiring diagram 使用 Triac/MLV 接线图

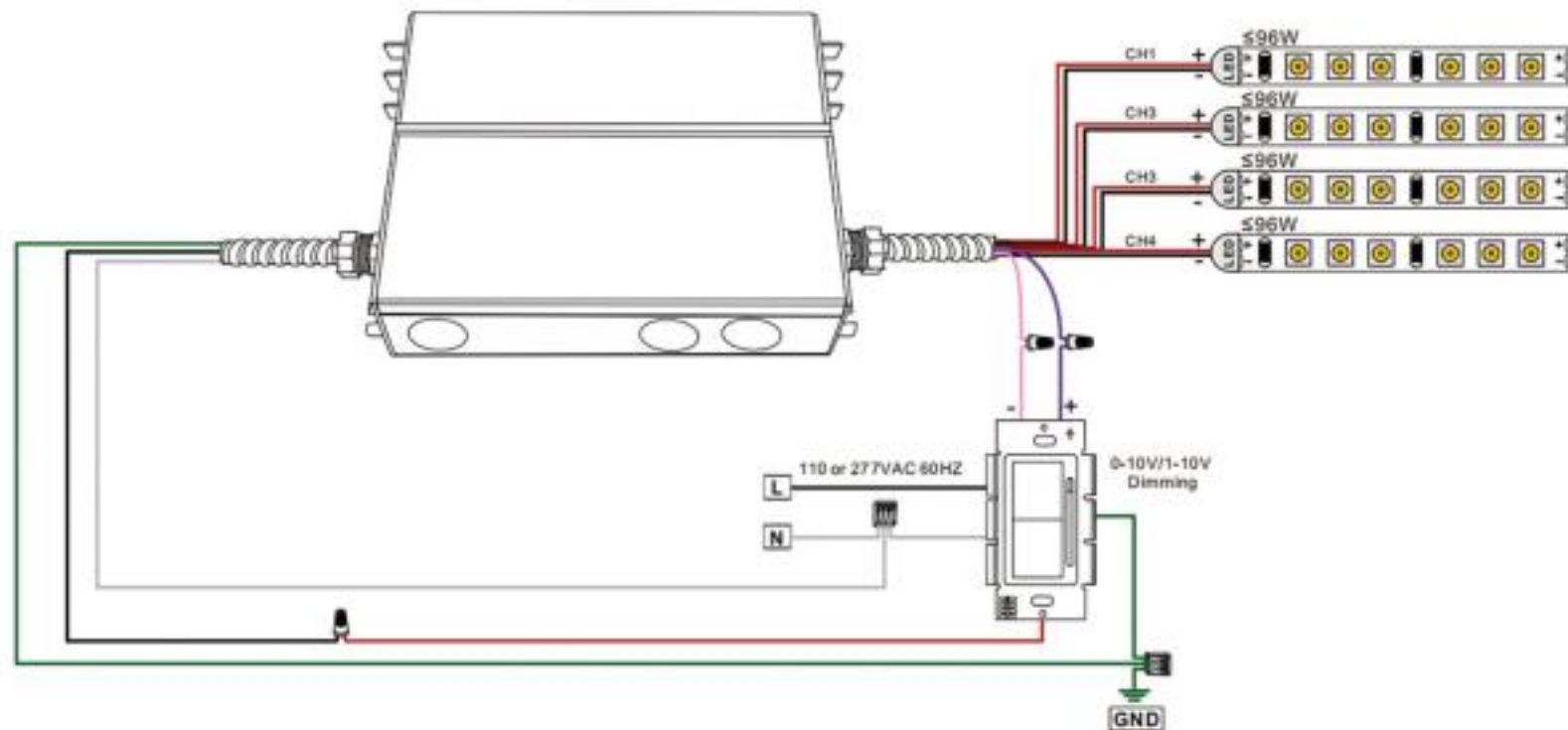


2) Using Triac / ELV wiring diagram 使用 Triac/ELV 接线图



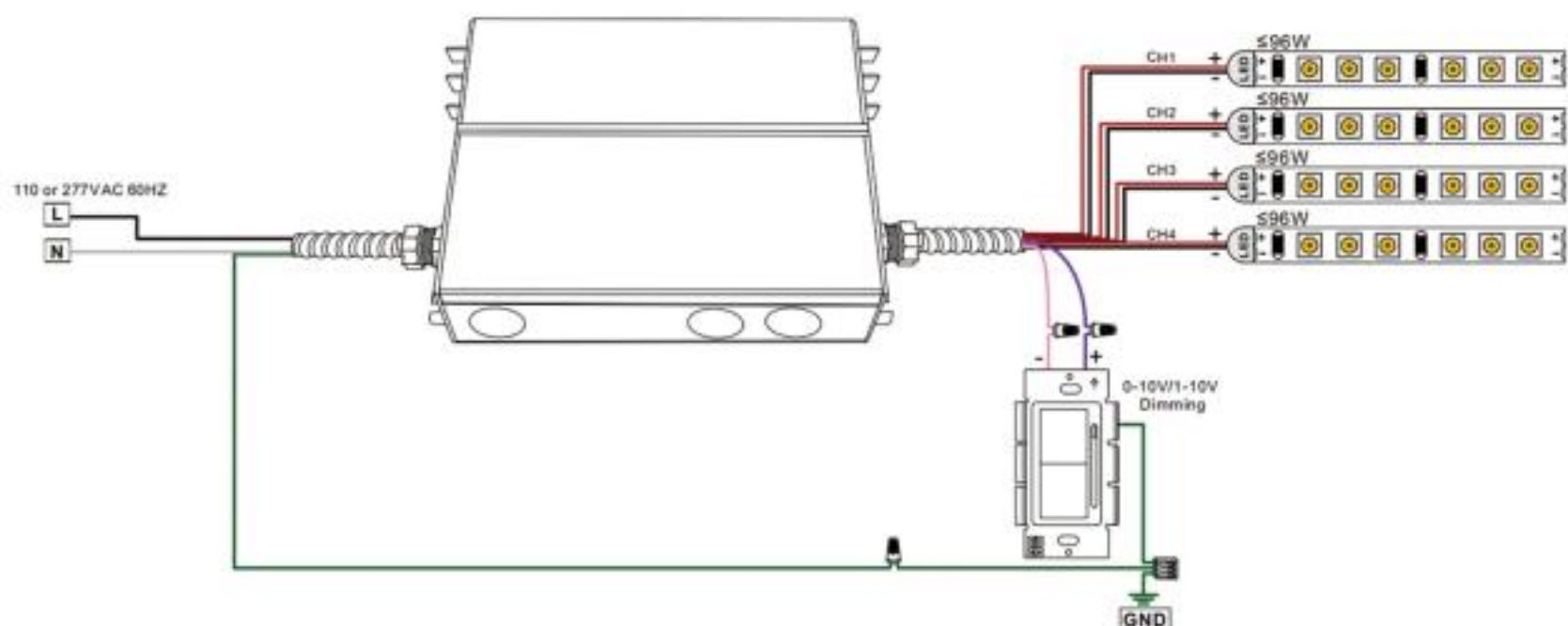
3) Using 0-10V/1-10V Dimming(The drive input is connected to the dimmer)

使用0-10V/1-10V调光 (驱动输入连接调光器)



4) Using 0-10V/1-10V Dimming(The drive is independently connected to the input)

使用0-10V/1-10V调光 (驱动器独立连接输入)





7 Steps Color Temperature Adjustable



Trim Voltage

CTA-J Series CTA-H-J Series(Class 2)

CCT & 5 in 1 (Triac, 0-10V, 1-10V, 10V PWM, Potentiometer) Dim. C.V. J-Box LED Driver

(Output Voltage Fine Tune Available / 2700K-6500K Color Temperature adjustable)

5 合 1 调光恒压双色壳机一体电源 【CTA-J · CTA-H-J 系列】 【输出电压可微调 / 2700K-6500K 色温可选】

Features 特性

- ★ **Dim-all:** CCT & Triac/0-10V/1-10V/10VPWM/Potentiometer
- **Universal input:** 110-277Vac
- **Dimming effect:**
 - PWM dim mode: 100-0.1% dim, flicker-free
 - Triac dim mode: Forward phase & reverse phase, MLV, ELV dim
- ★ **CCT-Tunable:** Linear color temperature adjustable
7 stops color temperature adjustable (2700K-6500K).
- With unique knob trim voltage function
- Wet, damp, and dry location,
- Title 24 JA8 compliant
- Build in active PFC, typical power factor>0.95, THD<10%@120V Max. load.
- Super low loading request, works perfect at 10-100% load.
- Short-circuit, over-temperature, over-load protection.
- UL cUL listed, Class 2, Class P, FCC, NEMA 4X, ROHS

- ★ **调光方式:** CCT可控硅/0-10V/1-10V/10V PWM/电阻调光
- **通用输入:** 110-277Vac
- **调光效果:**
 - PWM 调光模式: 100-0.1% 调光, 无闪烁
 - 可控硅调光模式: 正相和反相、MLV、ELV 调光
- ★ **CCT-Tunable:** 线性色温可选和
7档色温可选 (2700K-6500K)
具有独特的旋钮微调电压功能
适用于潮湿和干燥的位置
兼容Title 24, JA8标准
内置有源PFC, 典型功率因数>0.95, THD<10%
@120V Max. load
超低负载要求, 在 10-100% 负载下完美运行
短路、过温、过载保护
认证: UL/cUL, Class 2, Class P, FCC, NEMA 4X, ROHS

Selling Points 卖点

- 1) **PWM Output:** 4k/HZ Constant frequency
(Different frequencies can be customized:250-20000Hz)
- 2) **Dimming range:** 100%-0.1% Ultra Deep Amplitude
- 3) Works with two channel CCT warm-dim LED strip/tape (3 wires)
- 4) Exclusive patent design of "Clamshell" junction box (Fixed without screws)

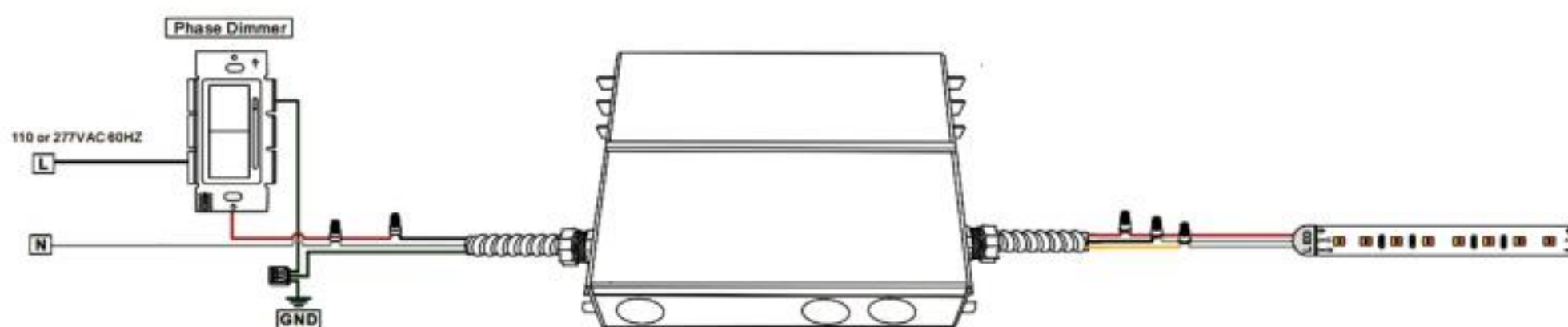
- 1) **PWM输出:** 4k/HZ恒定频率
(可定制不同频率: 250-20000Hz)
- 2) **调光范围:** 100%-0.1%超深幅度
- 3) 适用于两通道 CCT 冷暖调光 LED 灯条/3线芯LED灯带
- 4) 独家 "Clamshell" 接线盒专利设计 (无需螺丝固定)

Model 型号	Cover Material 外壳材质	Output Voltage 输出电压 (Vdc)	Output Current 输出电流 (Amp)	Output power 输出功率 (Watt)	Product Size 尺寸 (mm)	N/W 净重 (g)
CTA-12030J	Metal Housing (NEMA 4X)	12V(9-13Vadjustable)	2.5A	30W	158*120.5*42	750
CTA-24030J		24V(17-25Vadjustable)	1.25A			
CTA-48030J		48V(36-49Vadjustable)	0.63A			
CTA-12060J		12V(9-13Vadjustable)	5A	60W	158*120.5*42	750
CTA-24060J		24V(17-25Vadjustable)	2.5A			
CTA-48060J		48V(36-49Vadjustable)	1.25A			
CTA-12080J		12V(9-13Vadjustable)	6.6A	80W	188*120.5*42	1100
CTA-24080J		24V(17-25Vadjustable)	3.3A			
CTA-48080J		48V(36-49Vadjustable)	1.66A			
CTA-24096J		24V(17-25Vadjustable)	4A	96W	188*120.5*42	1100
CTA-48096J		48V(36-49Vadjustable)	2A			
CTA-12100J		12V(9-13Vadjustable)	8.33A	100W	188*120.5*42	1100
CTA-24100J		24V(17-25Vadjustable)	4.17A			
CTA-48100J		48V(36-49Vadjustable)	2.08A			
CTA-12120J		12V(9-13Vadjustable)	10A	120W	218*120.5*42	1100
CTA-24120J		24V(17-25Vadjustable)	5A			
CTA-48120J		48V(36-49Vadjustable)	2.5A			
CTA-12150J		12V(9-13Vadjustable)	12.5A	150W	218*120.5*42	1500
CTA-24150J		24V(17-25Vadjustable)	6.25A			
CTA-48150J		48V(36-49Vadjustable)	3.125A			
CTA-12200J		12V(9-13Vadjustable)	16.67A	200W	218*120.5*42	1500
CTA-24200J		24V(17-25Vadjustable)	8.33A			
CTA-48200J		48V(36-49Vadjustable)	4.17A			
CTA-12300J		12V(9-13Vadjustable)	25A	300W	258*120.5*42	1500
CTA-24300J		24V(17-25Vadjustable)	12.5A			
CTA-48300J		48V(36-49Vadjustable)	6.25A			
High Power Class 2			120W-384W			
CTA-H12120J	Metal Housing (NEMA 4X)	12V(9-13Vadjustable)	2CH*5A	2CH*60W	218*120.5*42	1100
CTA-H24120J		24V(17-25Vadjustable)	2CH*2.5A	2CH*60W	218*120.5*42	1100
CTA-H12180J		12V(9-13Vadjustable)	3CH*5A	3CH*60W	218*120.5*42	1100
CTA-H24192J		24V(17-25Vadjustable)	2CH*4A	2CH*96W	218*120.5*42	1100
CTA-H48192J		48V(36-49Vadjustable)	2CH*2A	2CH*96W	218*120.5*42	1100
CTA-H24288J		24V(17-25Vadjustable)	3CH*4A	3CH*96W	258x120.5x42	1500
CTA-H48288J		48V(36-49Vadjustable)	3CH*2A	3CH*96W	258x120.5x42	1500
CTA-H12300J		12V(9-13Vadjustable)	5CH*5A	5CH*60W	258x120.5x42	1500
CTA-H24384J		24V(17-25Vadjustable)	4CH*4A	4CH*96W	258x120.5x42	1500
CTA-H48384J		48V(36-49Vadjustable)	4CH*2A	4CH*96W	258x120.5x42	1500

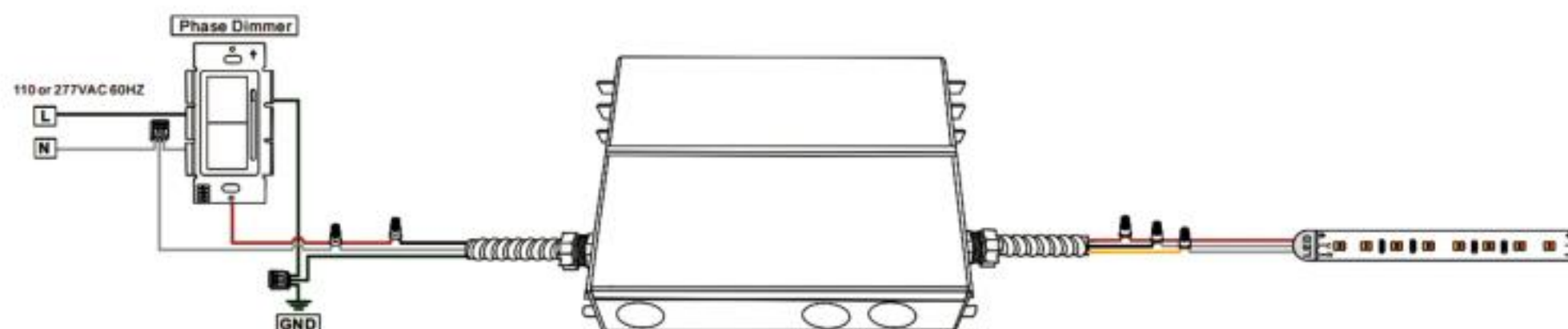
Wiring Diagram (Works with Two channel CCT warm-dim LED strip/tape (3 wires))

接线图 (适用于两通道 CCT 冷暖调光 LED 灯条/3线芯LED 灯带)

1) Using Triac / MLV wiring diagram 使用 Triac/MLV 接线图

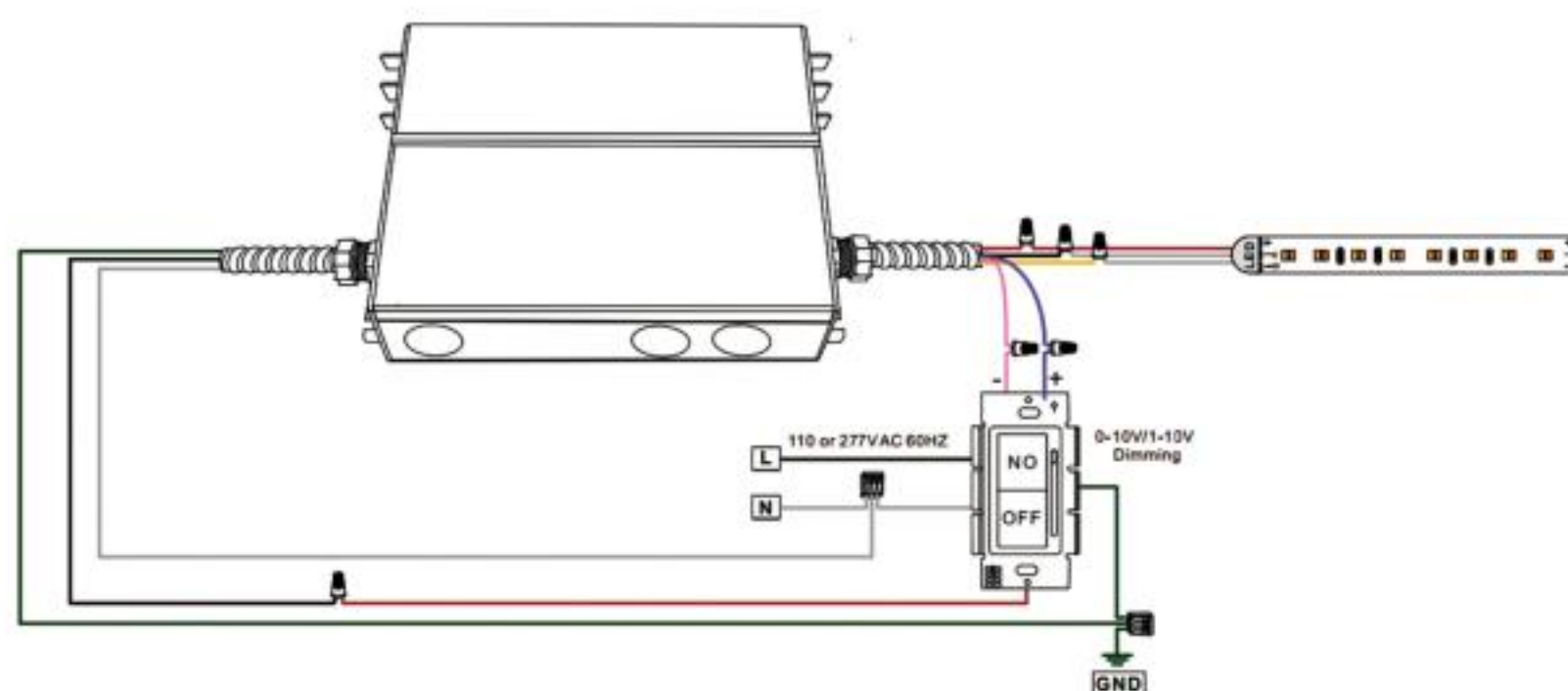


2) Using Triac / ELV wiring diagram 使用 Triac/ELV 接线图



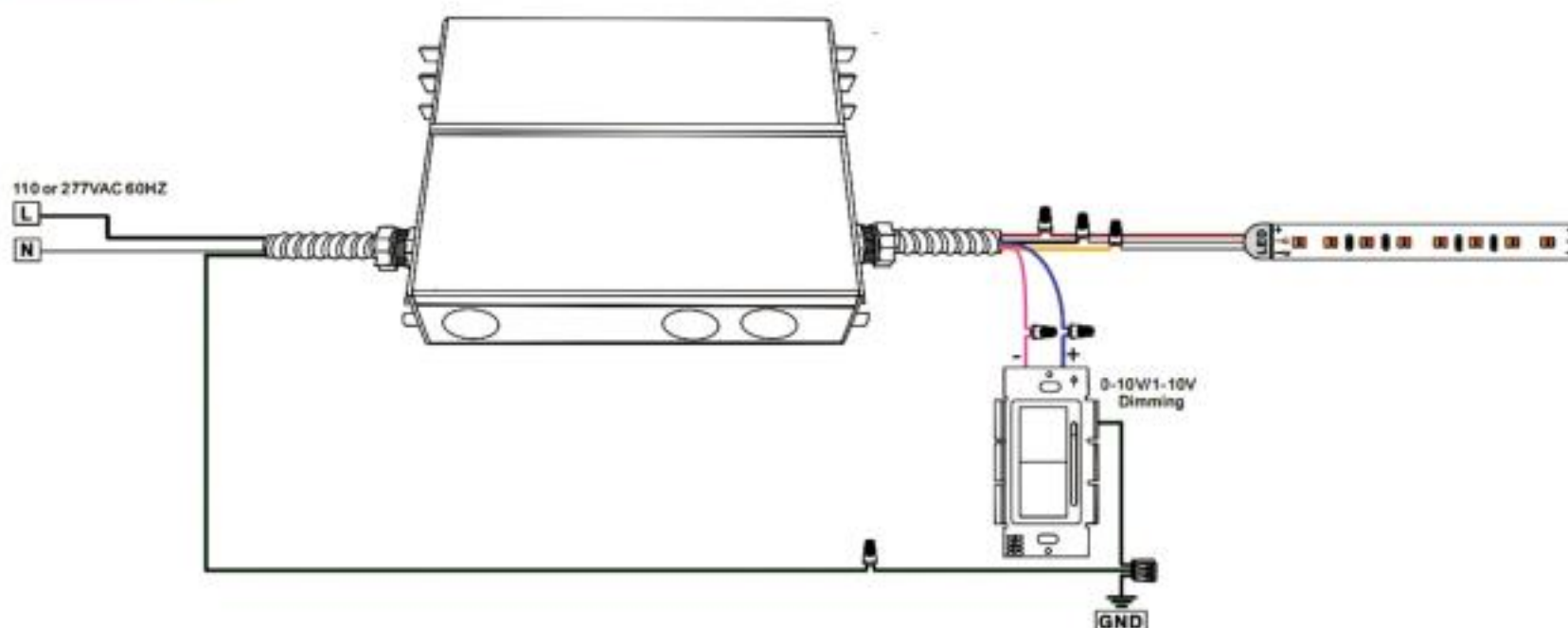
3) Using 0-10V/1-10V Dimming(The driver input is connected to the dimmer)

使用0-10V/1-10V调光 (驱动输入连接调光器)



4) Using 0-10V/1-10V Dimming(The driver is independently connected to the input)

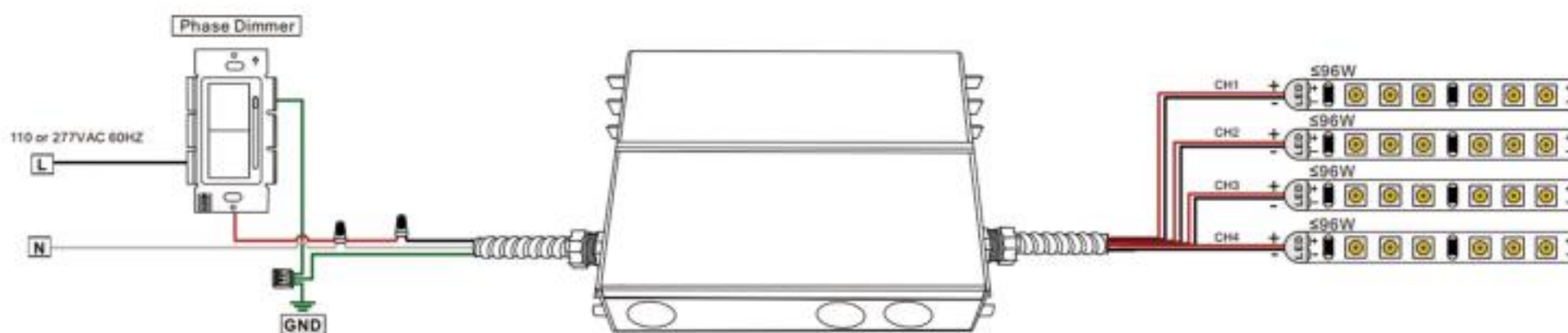
使用0-10V/1-10V调光 (驱动器独立连接输入)



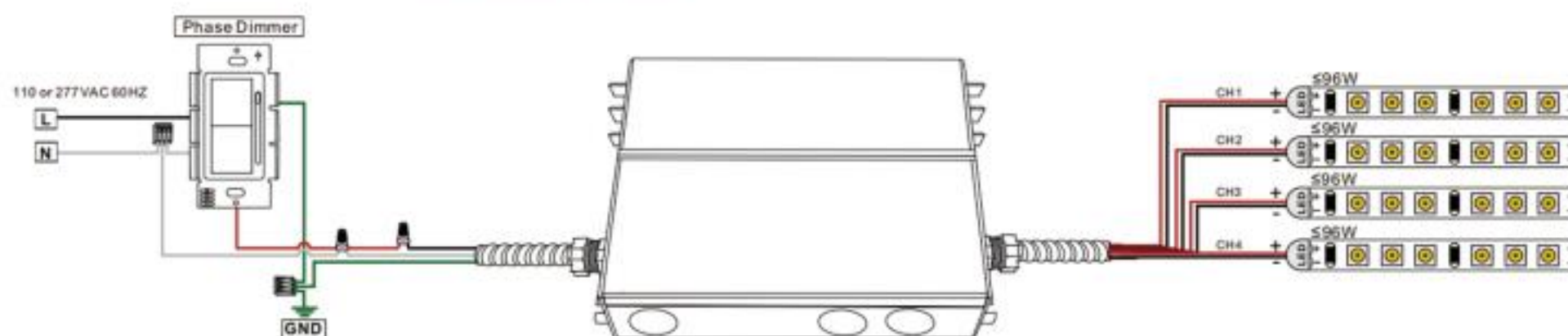
Wiring Diagram (e.g.: Following is the wiring diagram of high power class 2 LED Driver 384W)

接线图 (例如：以下是大功率 Class 2 LED驱动器384W接线图)

1) Using Triac / MLV wiring diagram 使用 Triac/MLV 接线图

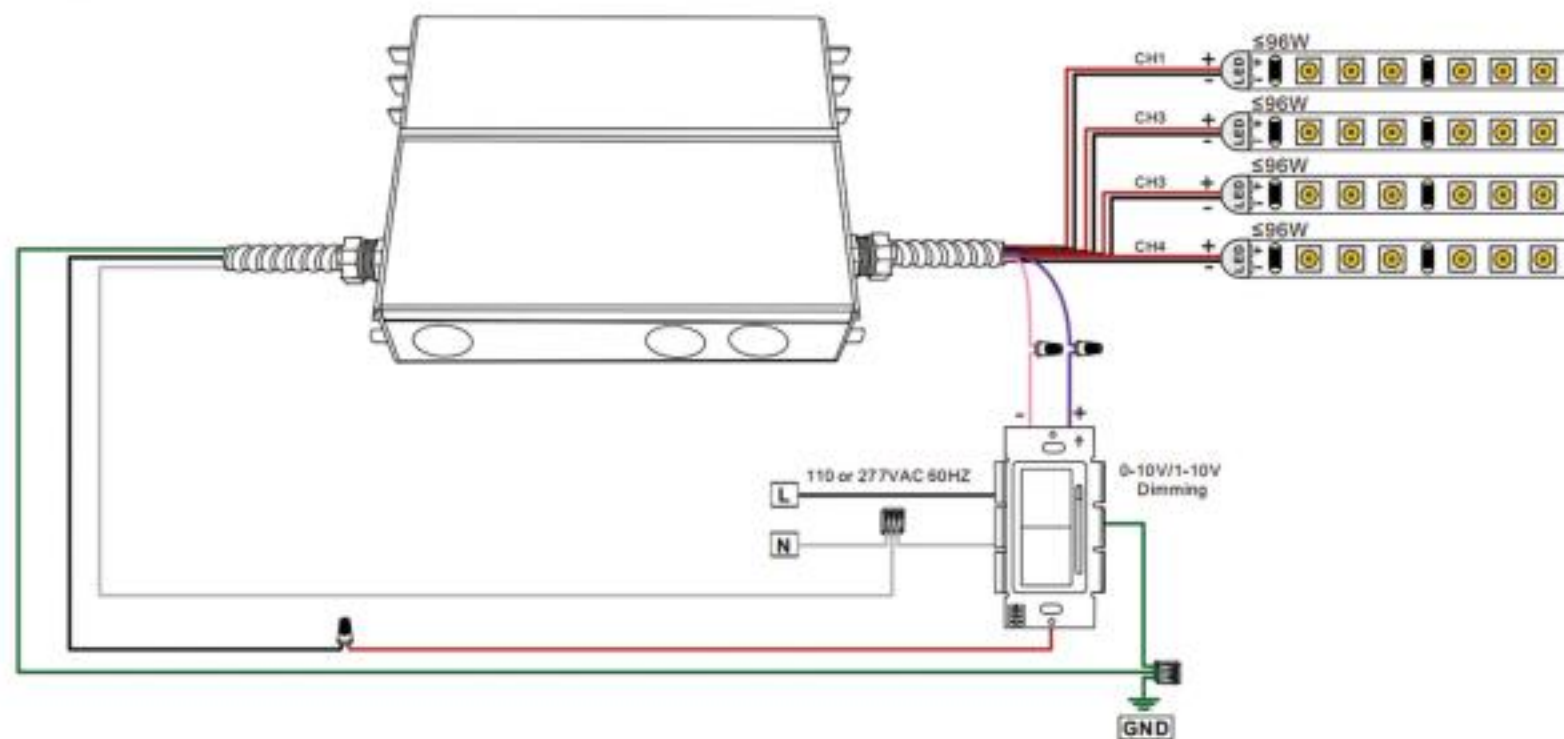


2) Using Triac / ELV wiring diagram 使用 Triac/ELV 接线图



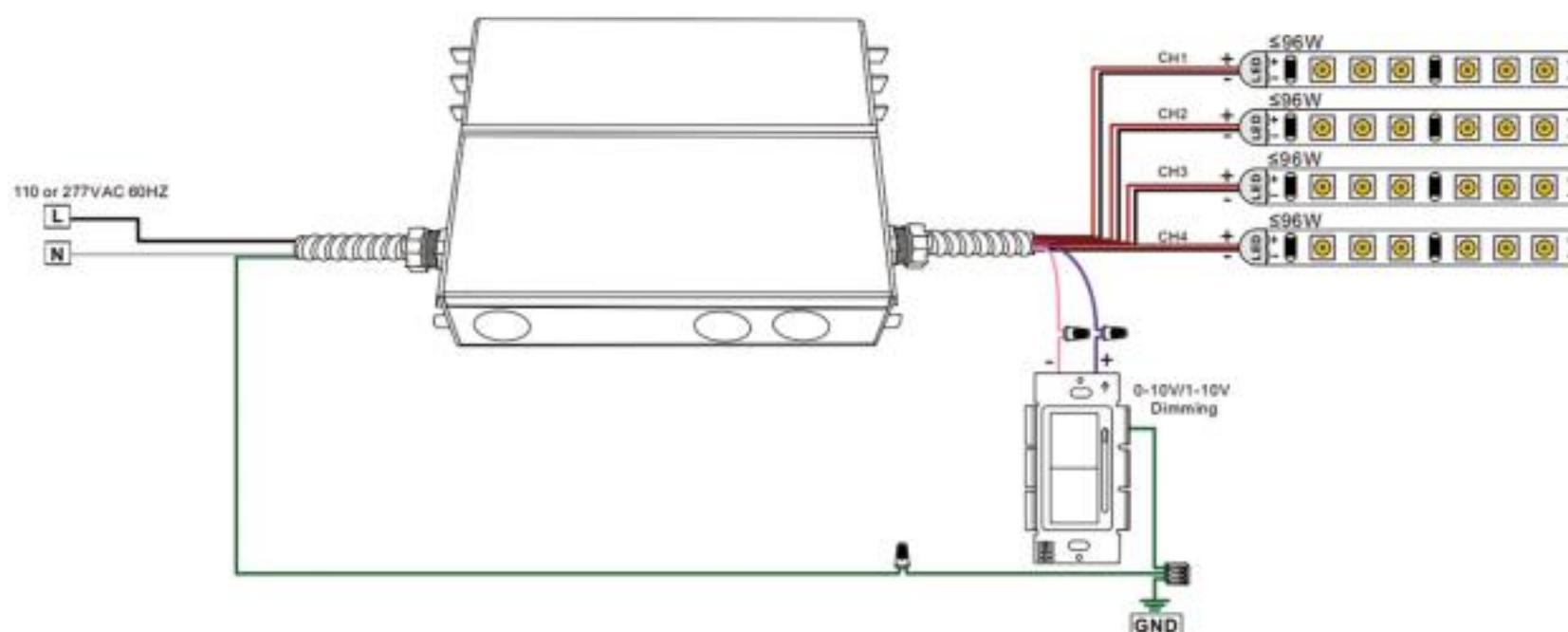
3) Using 0-10V/1-10V Dimming(The drive input is connected to the dimmer)

使用0-10V/1-10V调光 (驱动输入连接调光器)



4) Using 0-10V/1-10V Dimming(The drive is independently connected to the input)

使用0-10V/1-10V调光 (驱动器独立连接输入)





DSD-J Series

DSD-H-J Series

CCT & 5 in 1 (Triac, 0-10V, 1-10V, 10V PWM, Potentiometer) Dim. C.V. J-Box LED Driver

(Output Voltage Fine Tune Available / 0-10V Double Signals & CCT(Warm Dim))

5 合 1 调光恒压双色壳机一体电源 【DSD-J · DSD-H-J 系列】 【输出电压可微调 / 0-10V 双信号调光调色】

Features

特性

- ★ **Dim-all:** CCT & Triac/0-10V/1-10V/10VPWM/Potentiometer
- **Universal input:** 110-277Vac
- **Dimming effect:**
 - PWM dim mode:** 100-0.1% dim, flicker-free
 - Triac dim mode:** Forward phase & reverse phase, MLV, ELV dim
- ★ **CCT-Tunable:** Linear adjustment of color temperature
0-10V signal X 2CH, Dimming & color temperature control
- With unique knob trim voltage function
- Wet, damp, and dry location,
- Title 24 JA8 compliant
- Build in active PFC, typical power factor>0.95, THD<10%@120V Max. load.
- Super low loading request, works perfect at 10-100% load.
- Short-circuit, over-temperature, over-load protection.
- UL cUL listed, Class 2, Class P, FCC, NEMA 4X, ROHS

- ★ **调光方式:** CCT可控硅/0-10V/1-10V/10V PWM/电阻调光
- 通用输入:** 110-277Vac
- 调光效果:**
 - PWM 调光模式:** 100-0.1% 调光, 无闪烁
 - 可控硅调光模式:** 正相和反相、MLV、ELV 调光
- ★ **CCT-Tunable:** 色温线性调光/
0-10V双信号调光和色温控制
- 具有独特的旋钮微调电压功能
- 适用于潮湿和干燥的位置
- 兼容Title 24, JA8标准
- 内置有源PFC, 典型功率因数>0.95, THD<10% @120V Max. load
- 超低负载要求, 在 10-100% 负载下完美运行
- 短路、过温、过载保护
- 认证:** UL/cUL, Class 2, Class P, FCC, NEMA 4X, ROHS

Selling Points

卖点

- **1) PWM Output:** 4k/HZ Constant frequency
(Different frequencies can be customized:250-20000Hz)
- **2) Dimming range:** 100%-0.1% Ultra Deep Amplitude
- **3) Works with two channel CCT warm-dim LED strip/tape**
(3 wires)
- **4) Exclusive patent design of "Clamshell" junction box**
(Fixed without screws)

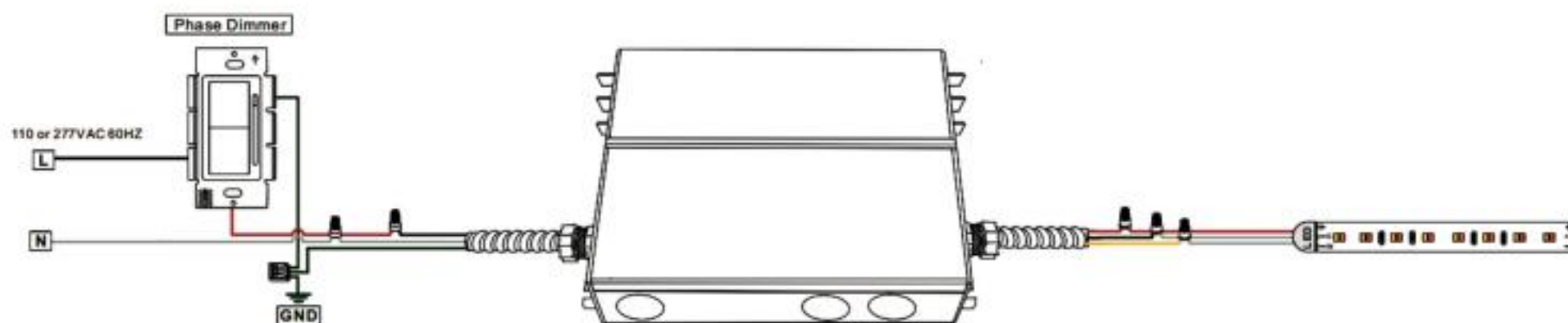
- 1) PWM输出:** 4k/HZ恒定频率
(可定制不同频率: 250-20000Hz)
- 2) 调光范围:** 100%-0.1%超深幅度
- 3) 适用于两通道 CCT 冷暖调光LED灯条/3线芯LED 灯带**
- 4) 独家 "Clamshell" 接线盒专利设计 (无需螺丝固定)**

Model 型号	Cover Material 外壳材质	Output Voltage 输出电压 (Vdc)	Output Current 输出电流 (Amp)	Output power 输出功率 (Watt)	Product Size 尺寸 (mm)	N/W 净重 (g)
DSD-12030J	Metal Housing (NEMA 4X)	12V(9-13Vadjustable)	2.5A	30W	158*120.5*42	750
DSD-24030J		24V(17-25Vadjustable)	1.25A			
DSD-48030J		48V(36-49Vadjustable)	0.63A			
DSD-12060J		12V(9-13Vadjustable)	5A	60W	158*120.5*42	750
DSD-24060J		24V(17-25Vadjustable)	2.5A			
DSD-48060J		48V(36-49Vadjustable)	1.25A			
DSD-12080J		12V(9-13Vadjustable)	6.6A	80W	188*120.5*42	1100
DSD-24080J		24V(17-25Vadjustable)	3.3A			
DSD-48080J		48V(36-49Vadjustable)	1.66A			
DSD-24096J		24V(17-25Vadjustable)	4A	96W	188*120.5*42	1100
DSD-48096J		48V(36-49Vadjustable)	2A			
DSD-12100J		12V(9-13Vadjustable)	8.33A	100W	188*120.5*42	1100
DSD-24100J		24V(17-25Vadjustable)	4.17A			
DSD-48100J		48V(36-49Vadjustable)	2.08A			
DSD-12120J		12V(9-13Vadjustable)	10A	120W	218*120.5*42	1100
DSD-24120J		24V(17-25Vadjustable)	5A			
DSD-48120J		48V(36-49Vadjustable)	2.5A			
DSD-12150J		12V(9-13Vadjustable)	12.5A	150W	218*120.5*42	1500
DSD-24150J		24V(17-25Vadjustable)	6.25A			
DSD-48150J		48V(36-49Vadjustable)	3.125A			
DSD-12200J		12V(9-13Vadjustable)	16.67A	200W	218*120.5*42	1500
DSD-24200J		24V(17-25Vadjustable)	8.33A			
DSD-48200J		48V(36-49Vadjustable)	4.17A			
DSD-12300J		12V(9-13Vadjustable)	25A	300W	258*120.5*42	1500
DSD-24300J	24V(17-25Vadjustable)	12.5A				
DSD-48300J	48V(36-49Vadjustable)	6.25A				
High Power Class 2			120W-384W			
DSD-H12120J	Metal Housing (NEMA 4X)	12V(9-13Vadjustable)	2CH*5A	2CH*60W	218*120.5*42	1100
DSD-H24120J		24V(17-25Vadjustable)	2CH*2.5A	2CH*60W	218*120.5*42	1100
DSD-H12180J		12V(9-13Vadjustable)	3CH*5A	3CH*60W	218*120.5*42	1100
DSD-H24192J		24V(17-25Vadjustable)	2CH*4A	2CH*96W	218*120.5*42	1100
DSD-H48192J		48V(36-49Vadjustable)	2CH*2A	2CH*96W	218*120.5*42	1100
DSD-H24288J		24V(17-25Vadjustable)	3CH*4A	3CH*96W	258x120.5x42	1500
DSD-H48288J		48V(36-49Vadjustable)	3CH*2A	3CH*96W	258x120.5x42	1500
DSD-H12300J		12V(9-13Vadjustable)	5CH*5A	5CH*60W	258x120.5x42	1500
DSD-H24384J		24V(17-25Vadjustable)	4CH*4A	4CH*96W	258x120.5x42	1500
DSD-H48384J		48V(36-49Vadjustable)	4CH*2A	4CH*96W	258x120.5x42	1500

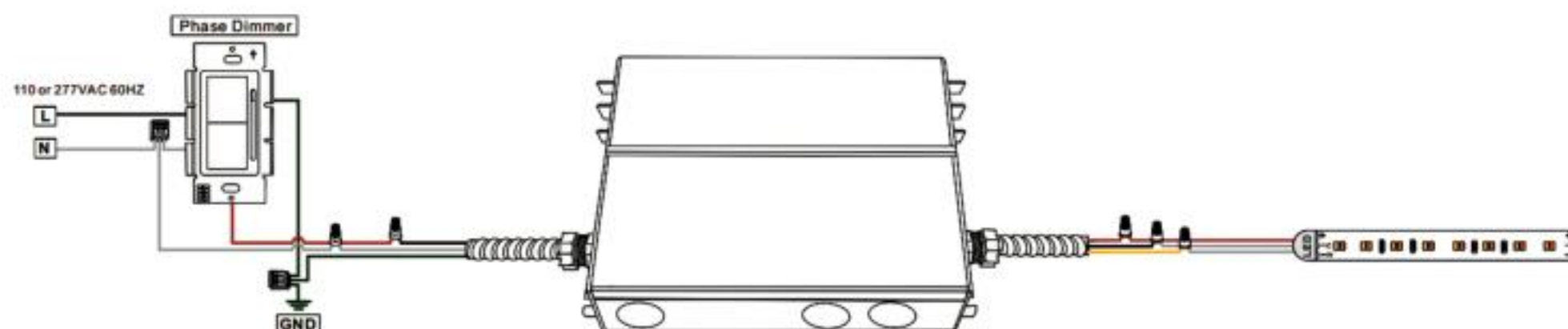
Wiring Diagram (Works with Two channel CCT warm-dim LED strip/tape (3 wires))

接线图 (适用于两通道 CCT 冷暖调光 LED 灯条/3线芯LED 灯带)

1) Using Triac / MLV wiring diagram 使用 Triac/MLV 接线图

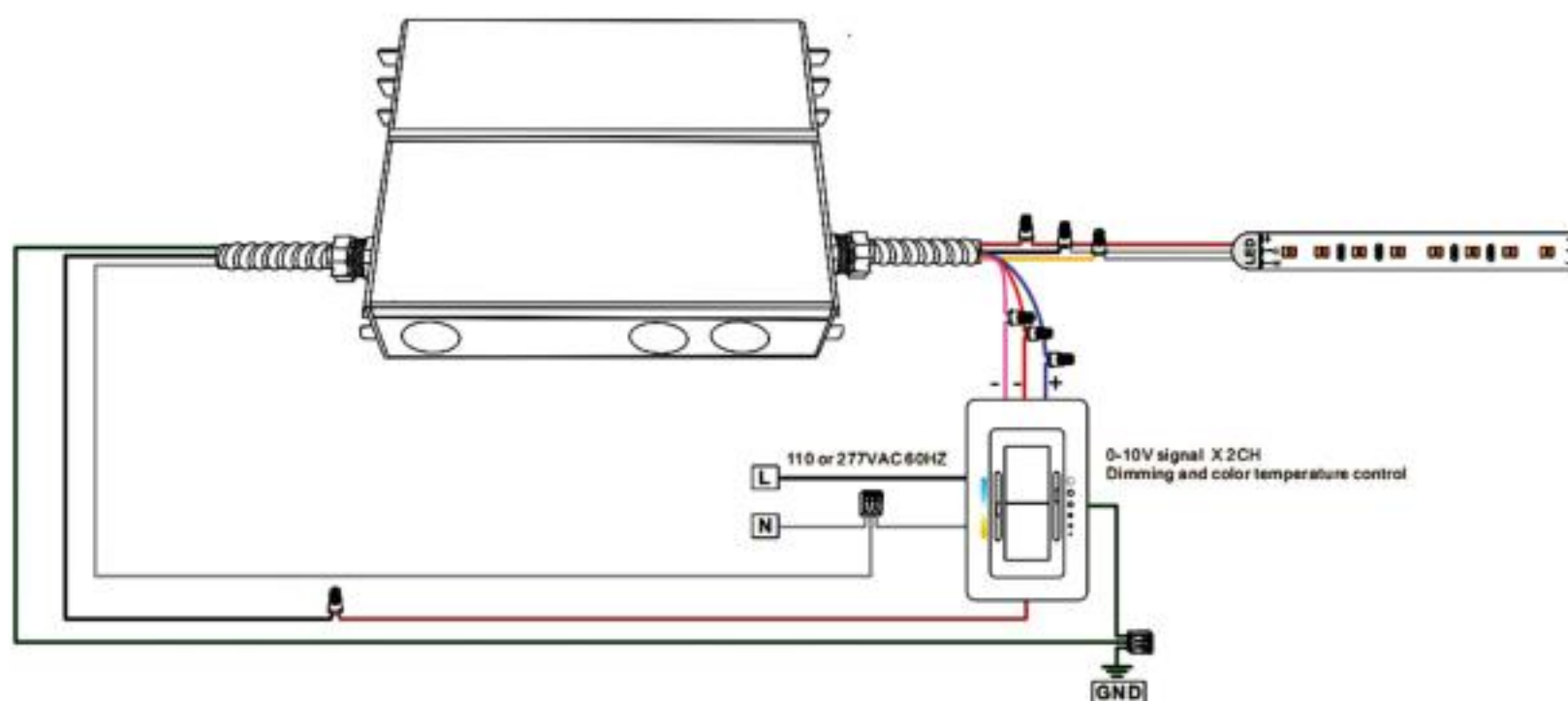


2) Using Triac / ELV wiring diagram 使用 Triac/ELV 接线图



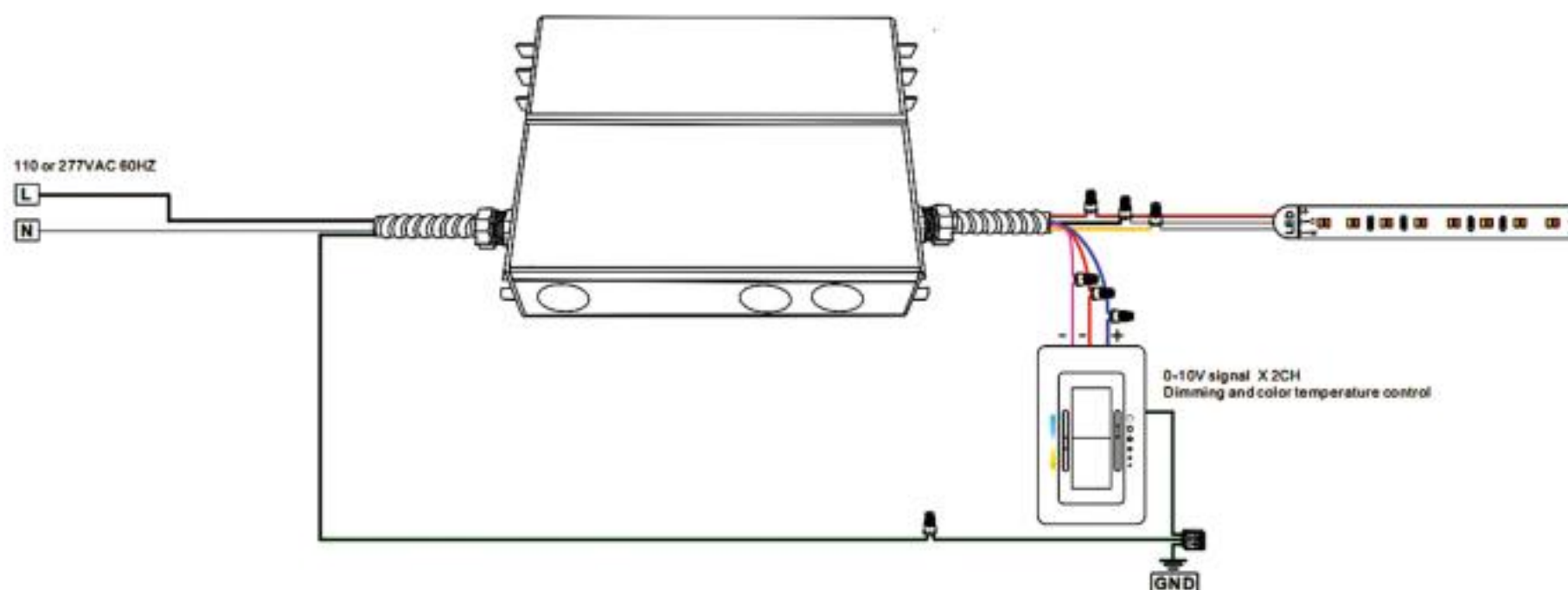
3) Using 0-10V/1-10V Dimming(The driver input is connected to the dimmer)

使用0-10V/1-10V调光 (驱动输入连接调光器)



4) Using 0-10V/1-10V Dimming(The driver is independently connected to the input)

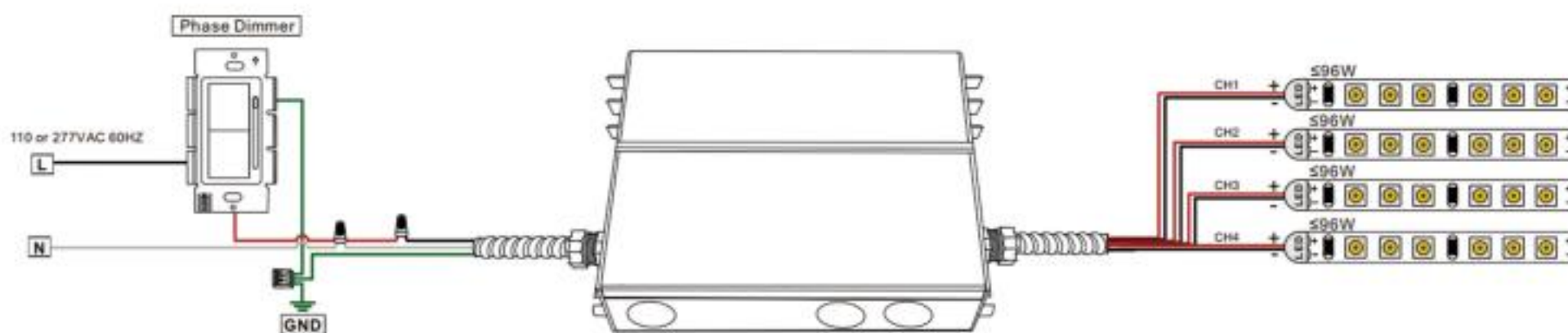
使用0-10V/1-10V调光 (驱动器独立连接输入)



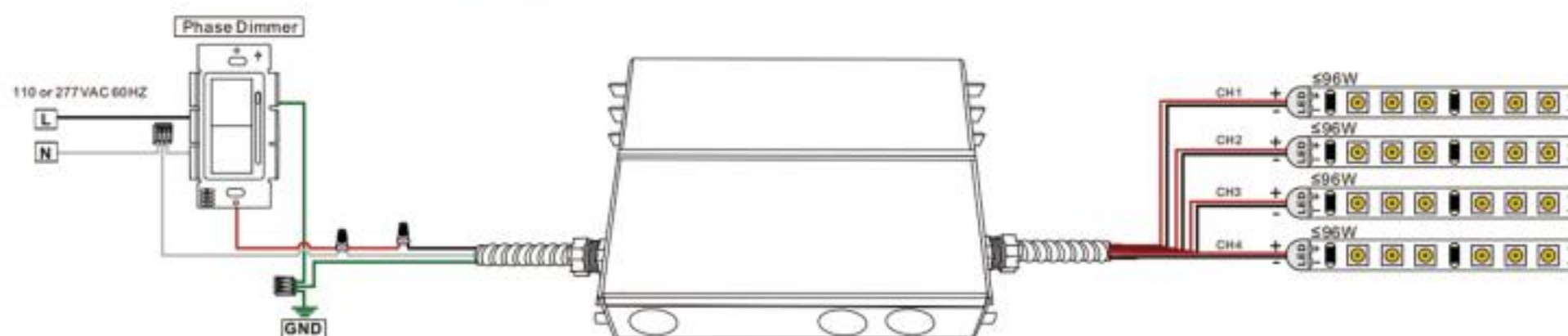
Wiring Diagram (e.g.: Following is the wiring diagram of high power class 2 LED Driver 384W)

接线图 (例如：以下是大功率 Class 2 LED驱动器384W接线图)

1) Using Triac / MLV wiring diagram 使用 Triac/MLV 接线图

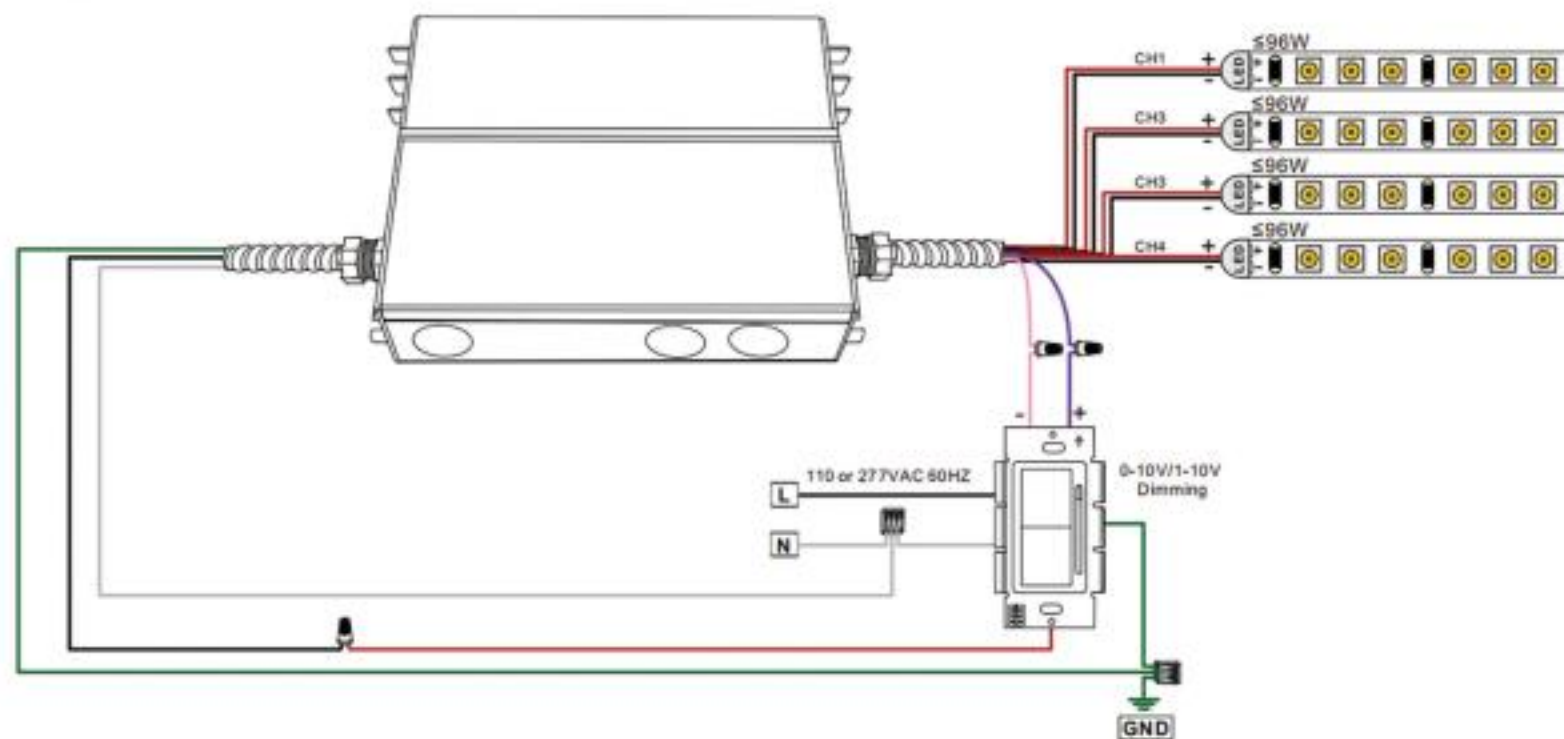


2) Using Triac / ELV wiring diagram 使用 Triac/ELV 接线图



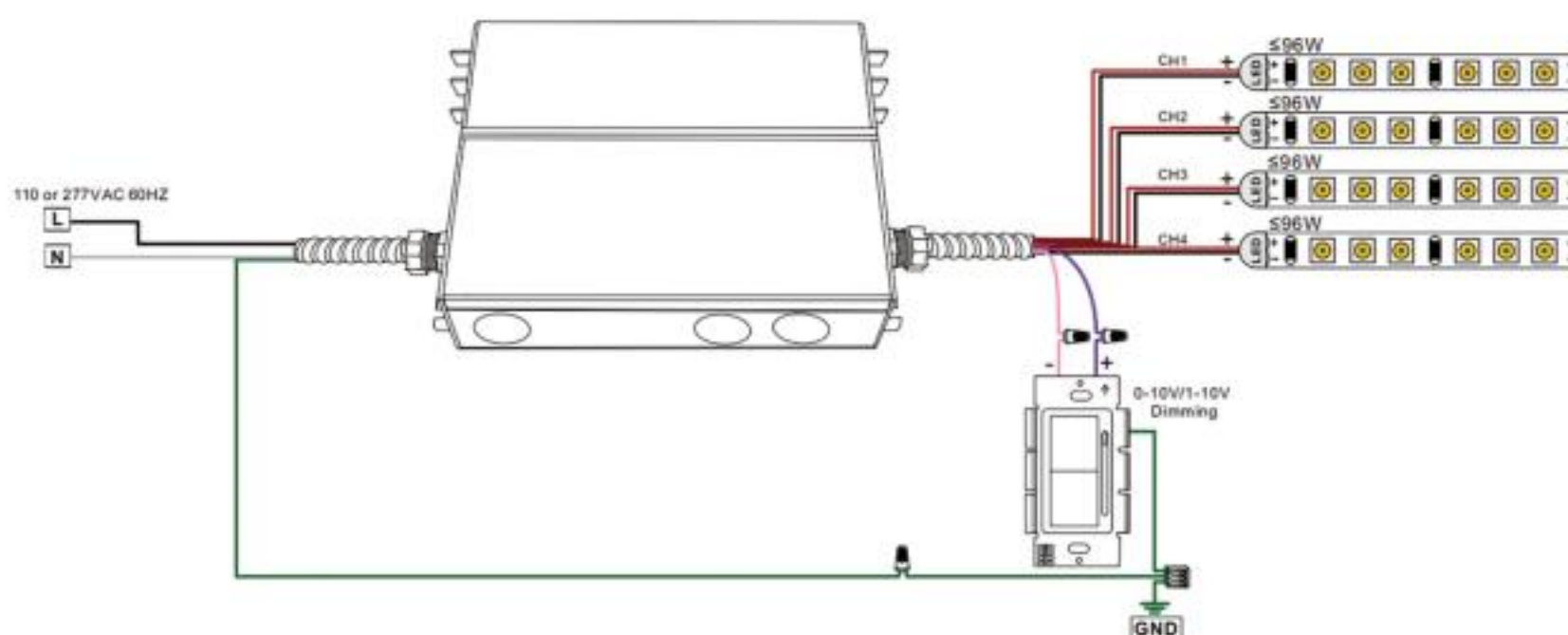
3) Using 0-10V/1-10V Dimming(The drive input is connected to the dimmer)

使用0-10V/1-10V调光 (驱动输入连接调光器)



4) Using 0-10V/1-10V Dimming(The drive is independently connected to the input)

使用0-10V/1-10V调光 (驱动器独立连接输入)





HZA-J Series HZA-H-J Series (Class 2)

5 in 1 (Triac, 0-10V, 1-10V, 10V PWM, Potentiometer) Dim. C.V. J-Box LED Driver

(Output Voltage Fine Tune Available / PWM Output / Frequency 250~20000Hz Optional)

5合1调光恒压壳机一体电源【HZA-J·HZA-H-J系列】 【输出电压可微调/PWM输出/250~20000Hz可选】

Features 特性

- ★ **Dim-all:** Triac/0-10V/1-10V/10VPWM/Potentiometer
- **Universal input:** 110-277Vac
- **Output type:** PWM output
- **Triac dim mode:** Forward phase & reverse phase, MLV, ELV dim

- ★ **10 stops Frequency adjustable** (250-20000Hz)

- With unique knob trim voltage function
- Wet, damp, and dry location,
- Title 24 JA8 compliant
- Build in active PFC, typical power factor>0.95, THD<10%@120V Max. load.
- Super low loading request, works perfect at 10-100% load.
- Short-circuit, over-temperature, over-load protection.
- UL cUL listed, Class 2, Class P, FCC, NEMA 4X, RoHs

- ★ **调光方式:** 可控硅/0-10V/1-10V/10V PWM/电阻调光
- 通用输入:** 110-277Vac
- 输出类型:** PWM输出
- 可控硅调光模式:** 正相和反相、MLV、ELV 调光

- ★ **10档频率可选**(250-20000Hz)

- 具有独特的旋钮微调电压功能
- 适用于潮湿和干燥的位置
- 兼容Title 24, JA8标准
- 内置有源PFC, 典型功率因数>0.95, THD<10% @120V Max. load
- 超低负载要求, 在 10-100% 负载下完美运行
- 短路、过温、过载保护
- 认证:** UL/cUL, Class 2, Class P, FCC, NEMA 4X, ROHS

Selling Points 卖点

- 1) **PWM Output:** Optional output frequency 250-20000Hz
- 2) **Dimming range:** 100%-0.1% Ultra Deep Amplitude
- 3) Works with single channel LED strip/tape and dim-to-warm LED strip/tape (2 wires)
- 4) Exclusive patent design of "Clamshell" junction box (Fixed without screws)

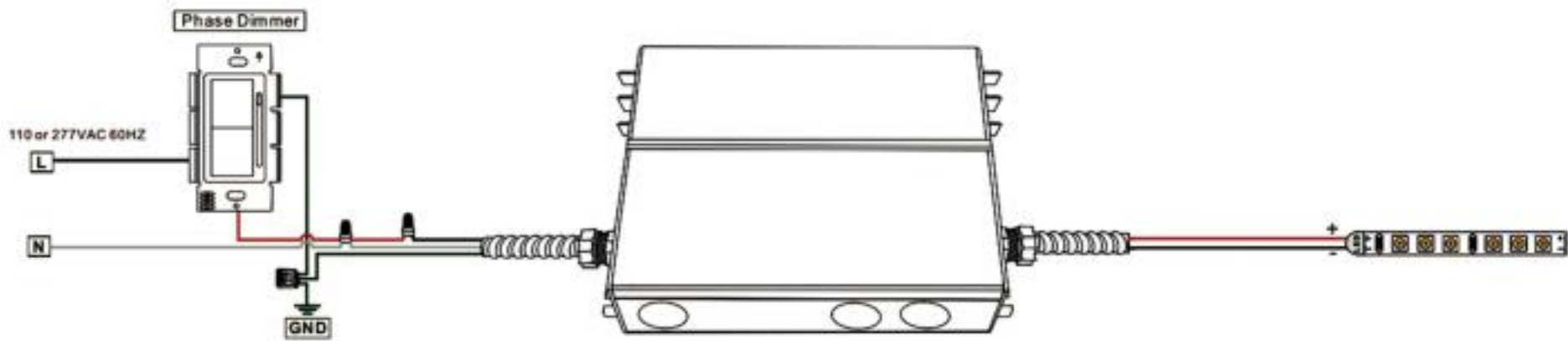
- 1) **PWM输出:** 可选输出频率250-20000Hz
- 2) **调光范围:** 100%-0.1%超深幅度
- 3) 适用于单通道 LED 灯条/带和调暗至暖色 LED 灯带/2线芯LED灯带
- 4) 独家 "Clamshell" 接线盒专利设计 (无需螺丝固定)

Model 型号	Cover Material 外壳材质	Output Voltage 输出电压 (Vdc)	Output Current 输出电流 (Amp)	Output power 输出功率 (Watt)	Product Size 尺寸 (mm)	N/W 净重 (g)
HZA-12030J	Metal Housing (NEMA 4X)	12V(9-13Vadjustable)	2.5A	30W	158*120.5*42	750
HZA-24030J		24V(17-25Vadjustable)	1.25A			
HZA-48030J		48V(36-49Vadjustable)	0.63A			
HZA-12060J		12V(9-13Vadjustable)	5A	60W	158*120.5*42	750
HZA-24060J		24V(17-25Vadjustable)	2.5A			
HZA-48060J		48V(36-49Vadjustable)	1.25A			
HZA-12080J		12V(9-13Vadjustable)	6.6A	80W	188*120.5*42	1100
HZA-24080J		24V(17-25Vadjustable)	3.3A			
HZA-48080J		48V(36-49Vadjustable)	1.66A			
HZA-24096J		24V(17-25Vadjustable)	4A	96W	188*120.5*42	1100
HZA-48096J		48V(36-49Vadjustable)	2A			
HZA-12100J		12V(9-13Vadjustable)	8.33A	100W	188*120.5*42	1100
HZA-24100J		24V(17-25Vadjustable)	4.17A			
HZA-48100J		48V(36-49Vadjustable)	2.08A			
HZA-12120J		12V(9-13Vadjustable)	10A	120W	218*120.5*42	1100
HZA-24120J		24V(17-25Vadjustable)	5A			
HZA-48120J		48V(36-49Vadjustable)	2.5A			
HZA-12150J		12V(9-13Vadjustable)	12.5A	150W	218*120.5*42	1500
HZA-24150J		24V(17-25Vadjustable)	6.25A			
HZA-48150J		48V(36-49Vadjustable)	3.125A			
HZA-12200J		12V(9-13Vadjustable)	16.67A	200W	218*120.5*42	1500
HZA-24200J		24V(17-25Vadjustable)	8.33A			
HZA-48200J		48V(36-49Vadjustable)	4.17A			
HZA-12300J		12V(9-13Vadjustable)	25A	300W	258*120.5*42	1500
HZA-24300J	24V(17-25Vadjustable)	12.5A				
HZA-48300J	48V(36-49Vadjustable)	6.25A				
High Power Class 2			120W-384W			
HZA-H12120J	Metal Housing (NEMA 4X)	12V(9-13Vadjustable)	2CH*5A	2CH*60W	218*120.5*42	1100
HZA-H24120J		24V(17-25Vadjustable)	2CH*2.5A	2CH*60W	218*120.5*42	1100
HZA-H12180J		12V(9-13Vadjustable)	3CH*5A	3CH*60W	218*120.5*42	1100
HZA-H24192J		24V(17-25Vadjustable)	2CH*4A	2CH*96W	218*120.5*42	1100
HZA-H48192J		48V(36-49Vadjustable)	2CH*2A	2CH*96W	218*120.5*42	1100
HZA-H24288J		24V(17-25Vadjustable)	3CH*4A	3CH*96W	258x120.5x42	1500
HZA-H48288J		48V(36-49Vadjustable)	3CH*2A	3CH*96W	258x120.5x42	1500
HZA-H12300J		12V(9-13Vadjustable)	5CH*5A	5CH*60W	258x120.5x42	1500
HZA-H24384J		24V(17-25Vadjustable)	4CH*4A	4CH*96W	258x120.5x42	1500
HZA-H48384J		48V(36-49Vadjustable)	4CH*2A	4CH*96W	258x120.5x42	1500

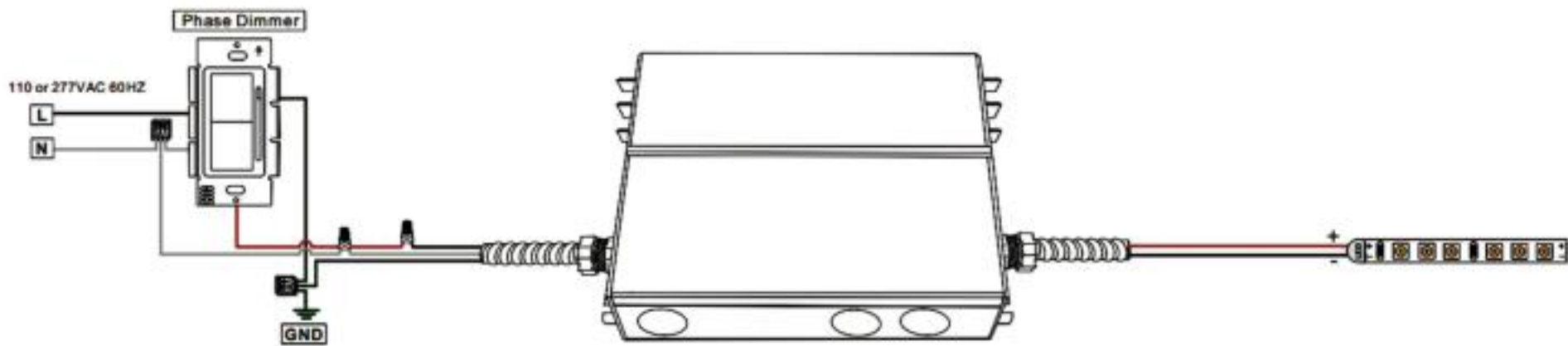
Wiring Diagram (Works with single channel Linear LED strip/tape (2 wires))

接线图 (与单通道线性 LED 灯条/2线芯LED 灯带 配合使用)

1) Using Triac / MLV wiring diagram 使用 Triac/MLV 接线图

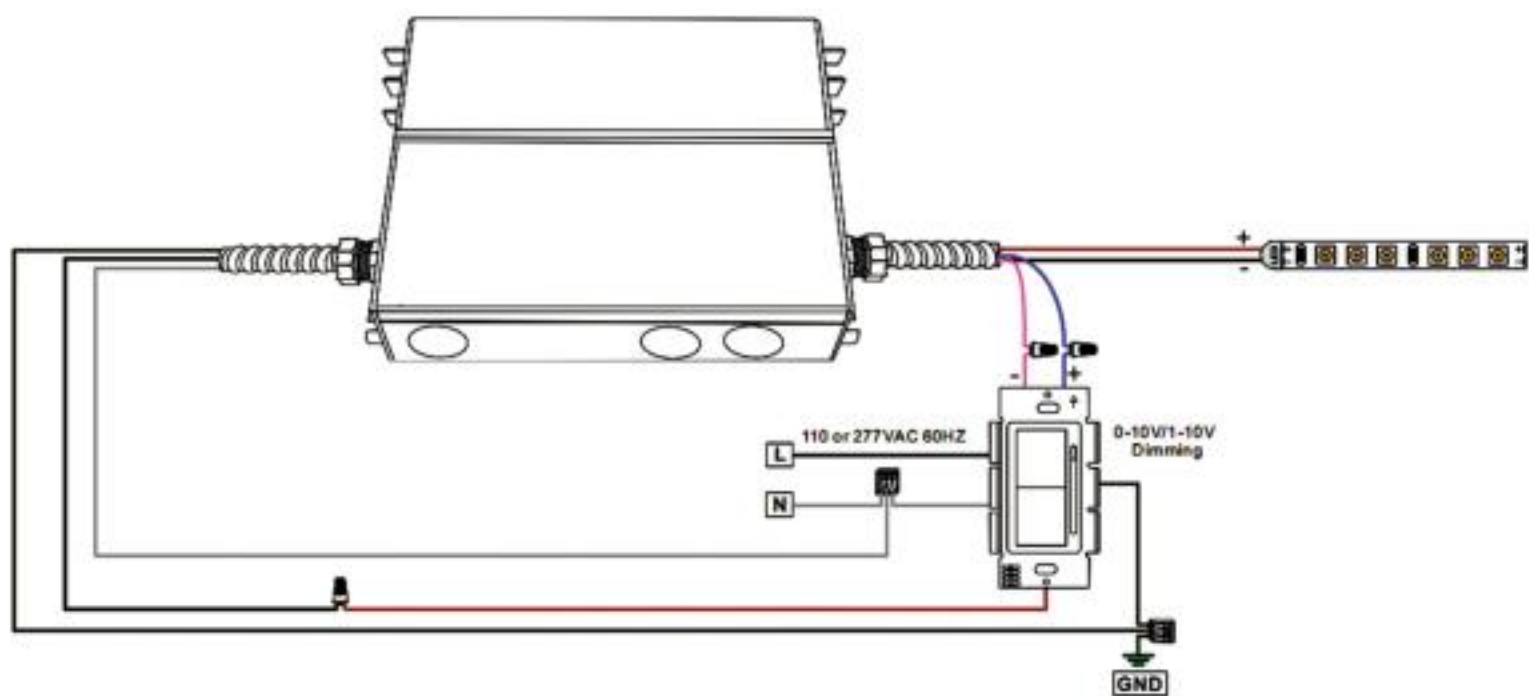


2) Using Triac / ELV wiring diagram 使用 Triac/ELV 接线图



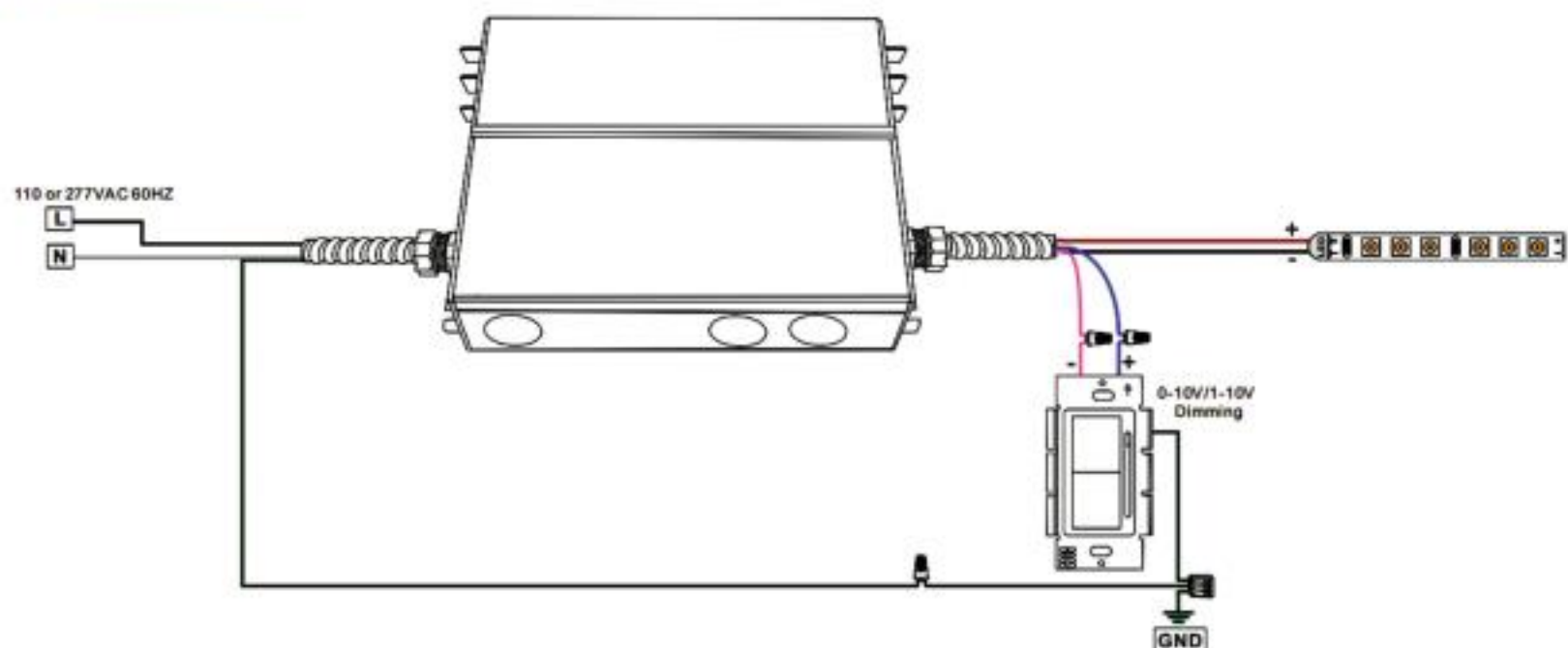
3) Using 0-10V/1-10V Dimming(The driver input is connected to the dimmer)

使用0-10V/1-10V调光 (驱动输入连接调光器)



4) Using 0-10V/1-10V Dimming(The driver is independently connected to the input)

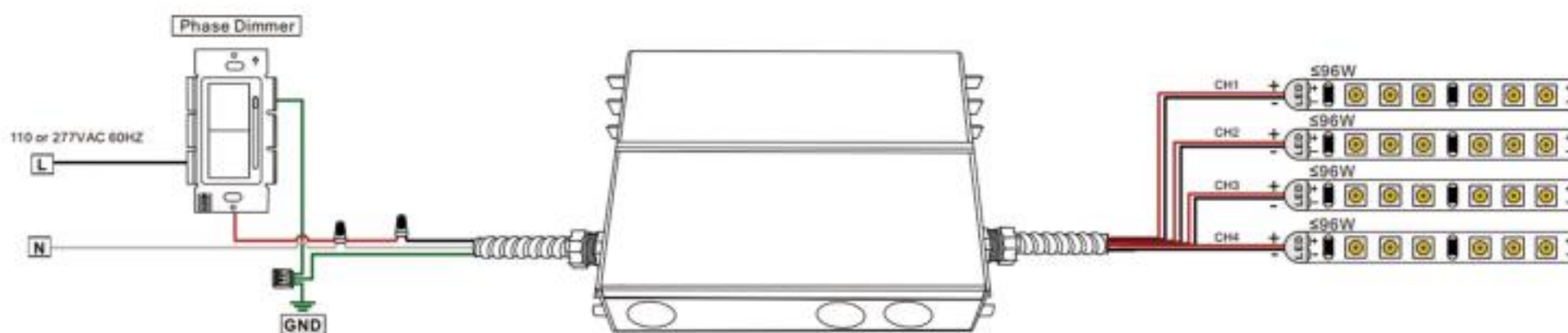
使用0-10V/1-10V调光 (驱动器独立连接输入)



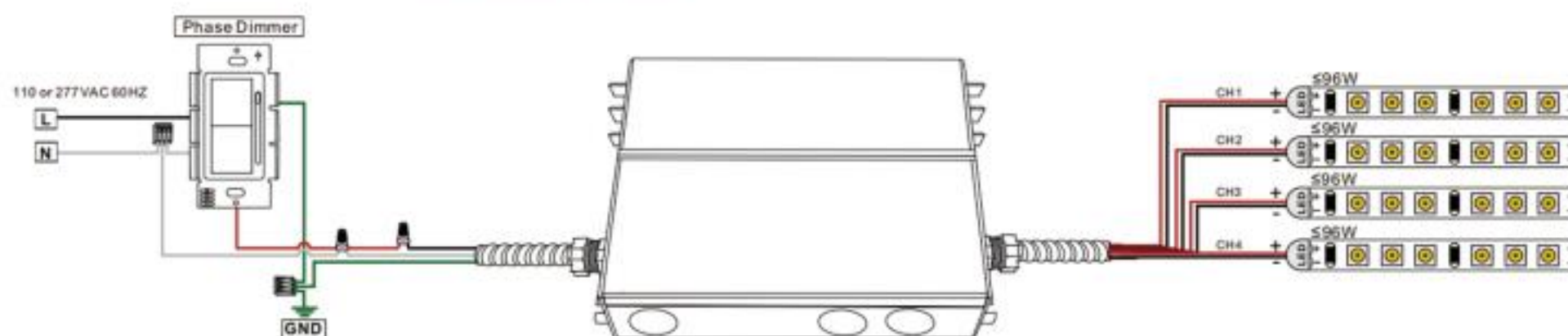
Wiring Diagram (e.g.: Following is the wiring diagram of high power class 2 LED Driver 384W)

接线图 (例如：以下是大功率 Class 2 LED驱动器384W接线图)

1) Using Triac / MLV wiring diagram 使用 Triac/MLV 接线图

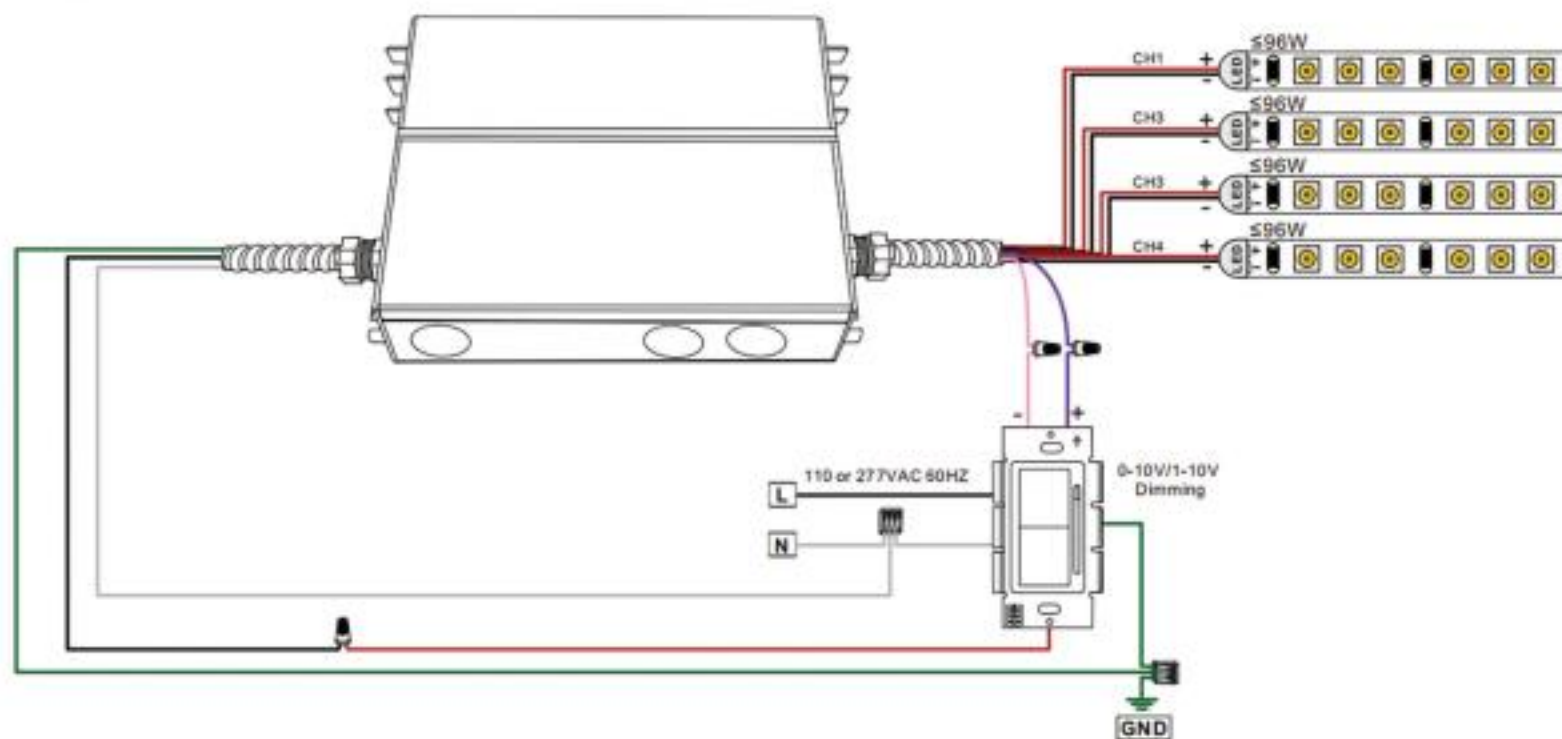


2) Using Triac / ELV wiring diagram 使用 Triac/ELV 接线图



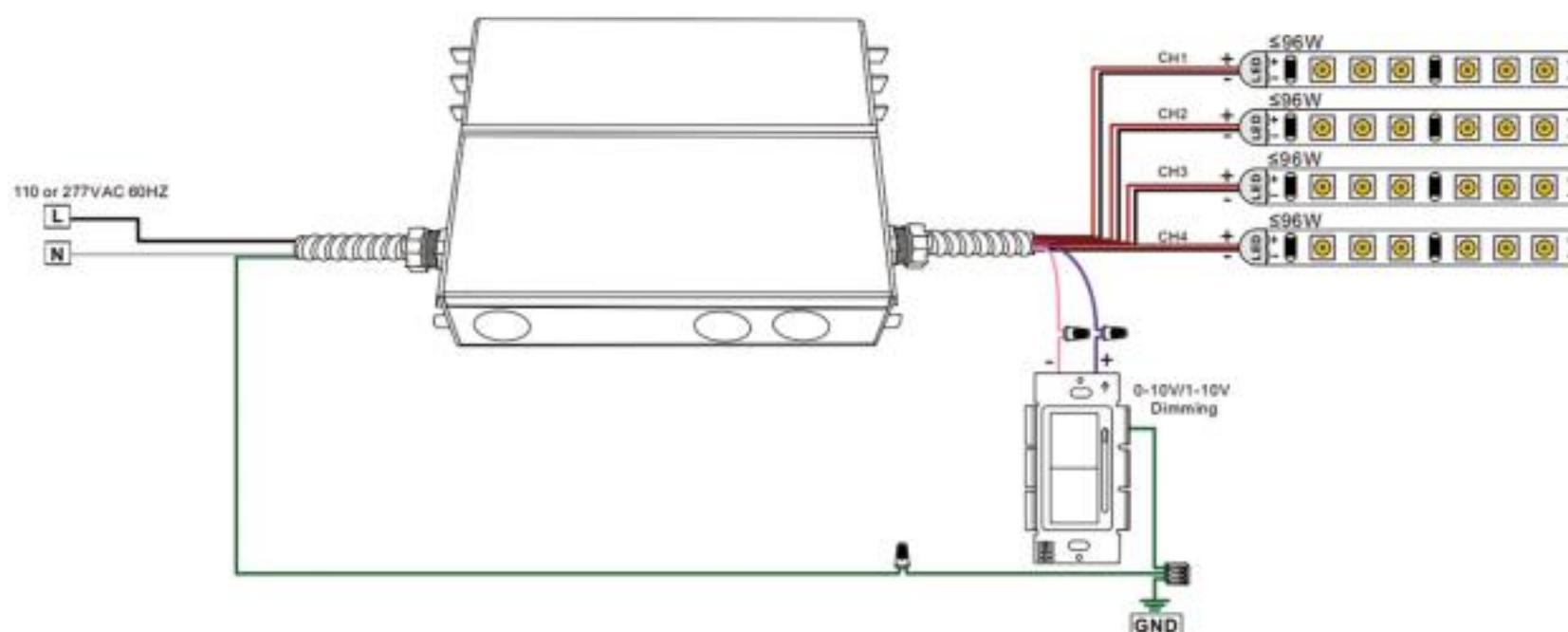
3) Using 0-10V/1-10V Dimming(The drive input is connected to the dimmer)

使用0-10V/1-10V调光 (驱动输入连接调光器)



4) Using 0-10V/1-10V Dimming(The drive is independently connected to the input)

使用0-10V/1-10V调光 (驱动器独立连接输入)





SHA-J Series

SHA-H-J Series

CCT & 5 in 1 (Triac, 0-10V, 1-10V, 10V PWM, Potentiometer) Dim. C.V. J-Box LED Driver

(Output Voltage Fine Tune Available / Switching color temp. available)

5 合 1 调光恒压双色壳机一体电源 【SHA-J · SHA-H-J 系列】 【输出电压可微调 / 可切换色温】

Features 特性

- | | |
|---|--|
| <ul style="list-style-type: none"> ★ Dim-all: CCT & Triac/0-10V/1-10V/10VPWM/Potentiometer ● Universal input: 110-277Vac ● Dimming effect: <ul style="list-style-type: none"> PWM dim mode: 100-0.1% dim, flicker-free Triac dim mode: Forward phase & reverse phase, MLV, ELV dim ★ CCT-Tunable: switch on/off(Switching color temp.available) ● With unique knob trim voltage function ● Wet, damp, and dry location, ● Title 24 JA8 compliant ● Build in active PFC, typical power factor>0.95, THD<10%@120V Max. load. ● Super low loading request, works perfect at 10-100% load. ● Short-circuit, over-temperature, over-load protection. ● UL cUL listed, Class 2, Class P, FCC, NEMA 4X, RoHs | <ul style="list-style-type: none"> ★ 调光方式: CCT可控硅/0-10V/1-10V/10V PWM/电阻调光 通用输入: 110-277Vac 调光效果: <ul style="list-style-type: none"> PWM 调光模式: 100-0.1% 调光, 无闪烁 可控硅调光模式: 正相和反相、MLV、ELV 调光 ★ CCT-Tunable: 打开/关闭 (切换色温) 具有独特的旋钮微调电压功能 适用于潮湿和干燥的位置 兼容Title 24, JA8标准 内置有源PFC, 典型功率因数>0.95, THD<10% @120V Max. load 超低负载要求, 在 10-100% 负载下完美运行 短路、过温、过载保护 认证: UL/cUL, Class 2, Class P, FCC, NEMA 4X, ROHS |
|---|--|

Selling Points 卖点

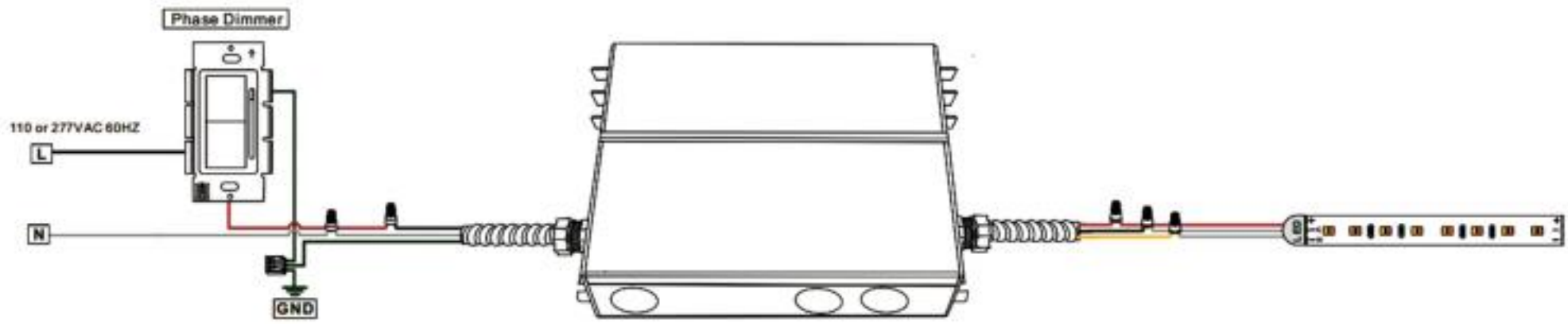
- | | |
|---|---|
| <ul style="list-style-type: none"> ● 1) PWM Output: 4k/HZ Constant frequency (Different frequencies can be customized:250-20000Hz) ● 2) Dimming range: 100%-0.1% Ultra Deep Amplitude ● 3) Works with two channel CCT warm-dim LED strip/tape (3 wires) ● 4) Exclusive patent design of "Clamshell" junction box (Fixed without screws) | <ul style="list-style-type: none"> 1) PWM输出: 4k/HZ恒定频率 (可定制不同频率: 250-20000Hz) 2) 调光范围: 100%-0.1%超深幅度 3) 适用于两通道 CCT 冷暖调光LED灯条/3线芯LED 灯带 4) 独家 "Clamshell" 接线盒专利设计 (无需螺丝固定) |
|---|---|

Model 型号	Cover Material 外壳材质	Output Voltage 输出电压 (Vdc)	Output Current 输出电流 (Amp)	Output power 输出功率 (Watt)	Product Size 尺寸 (mm)	N/W 净重 (g)
SHA-12030J	Metal Housing (NEMA 4X)	12V(9-13Vadjustable)	2.5A	30W	158*120.5*42	750
SHA-24030J		24V(17-25Vadjustable)	1.25A			
SHA-48030J		48V(36-49Vadjustable)	0.63A			
SHA-12060J		12V(9-13Vadjustable)	5A	60W	158*120.5*42	750
SHA-24060J		24V(17-25Vadjustable)	2.5A			
SHA-48060J		48V(36-49Vadjustable)	1.25A			
SHA-12080J		12V(9-13Vadjustable)	6.6A	80W	188*120.5*42	1100
SHA-24080J		24V(17-25Vadjustable)	3.3A			
SHA-48080J		48V(36-49Vadjustable)	1.66A			
SHA-24096J		24V(17-25Vadjustable)	4A	96W	188*120.5*42	1100
SHA-48096J		48V(36-49Vadjustable)	2A			
SHA-12100J		12V(9-13Vadjustable)	8.33A	100W	188*120.5*42	1100
SHA-24100J		24V(17-25Vadjustable)	4.17A			
SHA-48100J		48V(36-49Vadjustable)	2.08A			
SHA-12120J		12V(9-13Vadjustable)	10A	120W	218*120.5*42	1100
SHA-24120J		24V(17-25Vadjustable)	5A			
SHA-48120J		48V(36-49Vadjustable)	2.5A			
SHA-12150J		12V(9-13Vadjustable)	12.5A	150W	218*120.5*42	1500
SHA-24150J		24V(17-25Vadjustable)	6.25A			
SHA-48150J		48V(36-49Vadjustable)	3.125A			
SHA-12200J		12V(9-13Vadjustable)	16.67A	200W	218*120.5*42	1500
SHA-24200J		24V(17-25Vadjustable)	8.33A			
SHA-48200J		48V(36-49Vadjustable)	4.17A			
SHA-12300J		12V(9-13Vadjustable)	25A	300W	258*120.5*42	1500
SHA-24300J	24V(17-25Vadjustable)	12.5A				
SHA-48300J	48V(36-49Vadjustable)	6.25A				
High Power Class 2			120W-384W			
SHA-H12120J	Metal Housing (NEMA 4X)	12V(9-13Vadjustable)	2CH*5A	2CH*60W	218*120.5*42	1100
SHA-H24120J		24V(17-25Vadjustable)	2CH*2.5A	2CH*60W	218*120.5*42	1100
SHA-H12180J		12V(9-13Vadjustable)	3CH*5A	3CH*60W	218*120.5*42	1100
SHA-H24192J		24V(17-25Vadjustable)	2CH*4A	2CH*96W	218*120.5*42	1100
SHA-H48192J		48V(36-49Vadjustable)	2CH*2A	2CH*96W	218*120.5*42	1100
SHA-H24288J		24V(17-25Vadjustable)	3CH*4A	3CH*96W	258x120.5x42	1500
SHA-H48288J		48V(36-49Vadjustable)	3CH*2A	3CH*96W	258x120.5x42	1500
SHA-H12300J		12V(9-13Vadjustable)	5CH*5A	5CH*60W	258x120.5x42	1500
SHA-H24384J		24V(17-25Vadjustable)	4CH*4A	4CH*96W	258x120.5x42	1500
SHA-H48384J		48V(36-49Vadjustable)	4CH*2A	4CH*96W	258x120.5x42	1500

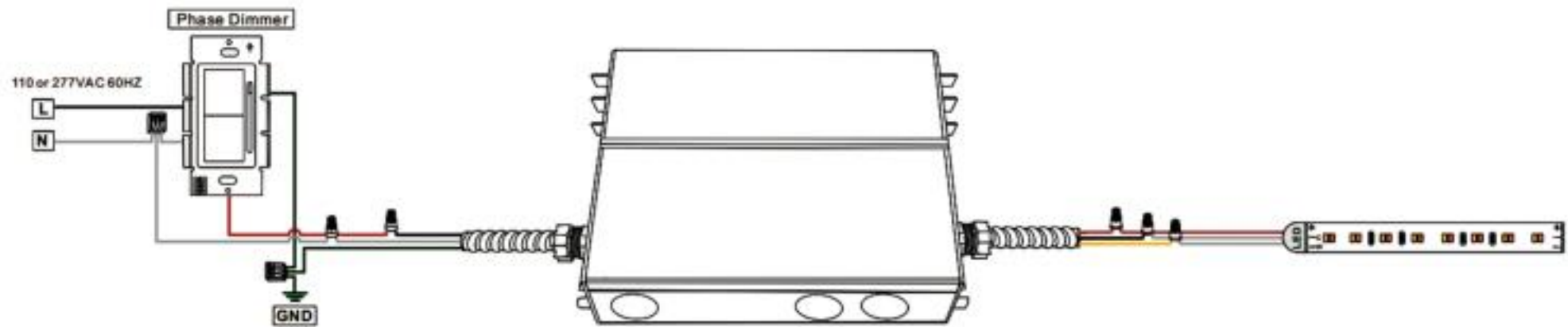
Wiring Diagram (Works with Two channel CCT warm-dim LED strip/tape (3 wires))

接线图 (适用于两通道 CCT 冷暖调光 LED 灯条/3线芯LED 灯带)

1) Using Triac / MLV wiring diagram 使用 Triac/MLV 接线图

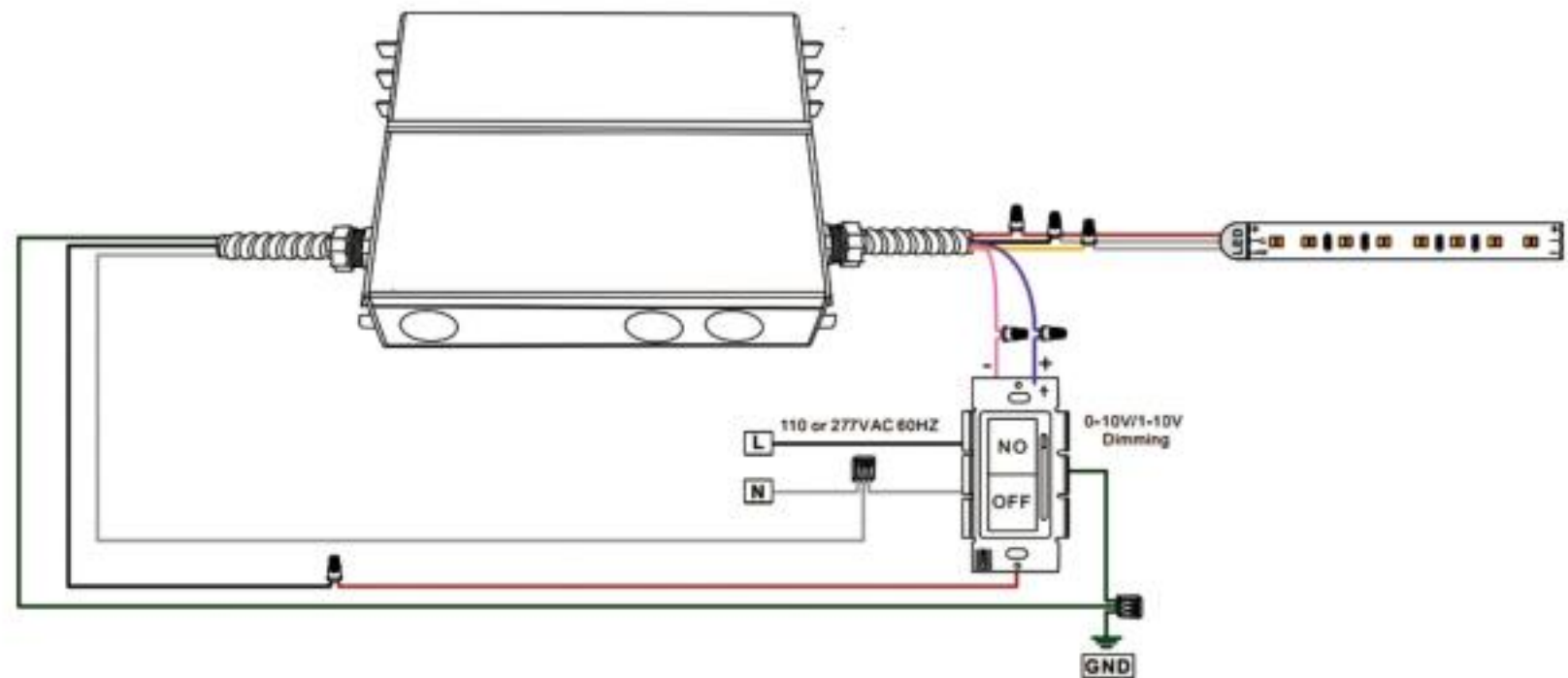


2) Using Triac / ELV wiring diagram 使用 Triac/ELV 接线图



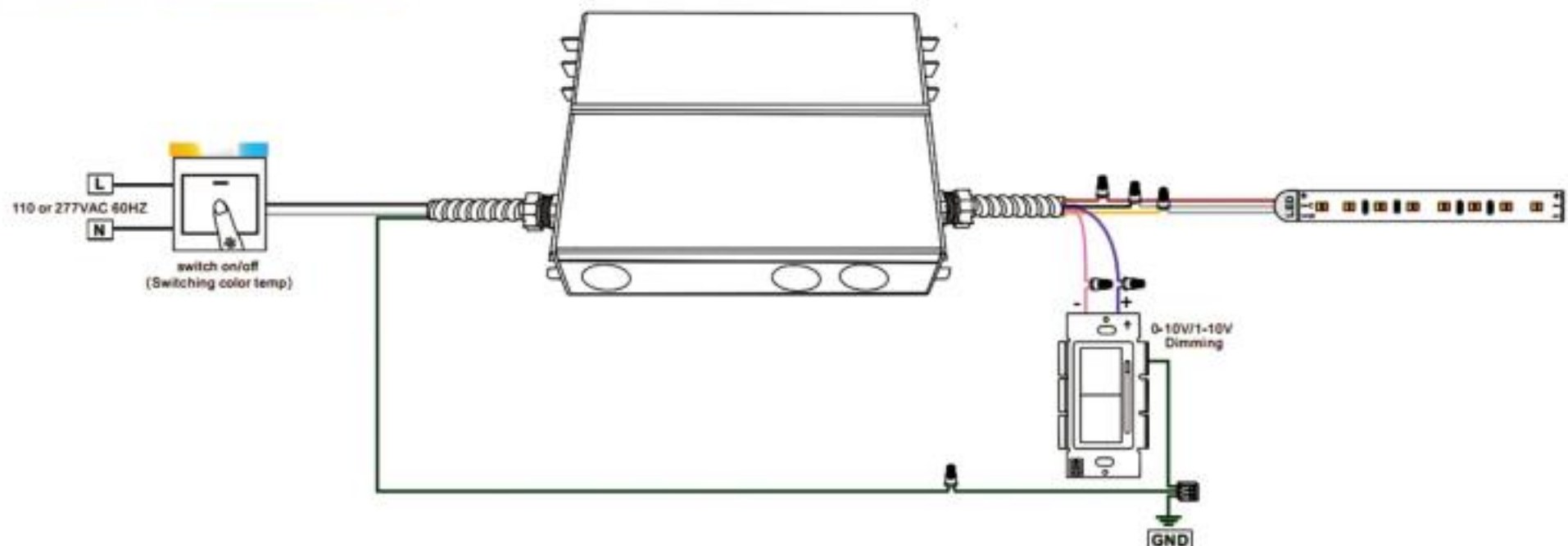
3) Using 0-10V/1-10V Dimming (The driver input is connected to the dimmer)

使用0-10V/1-10V调光 (驱动输入连接调光器)



4) Using 0-10V/1-10V Dimming (The driver is independently connected to the input)

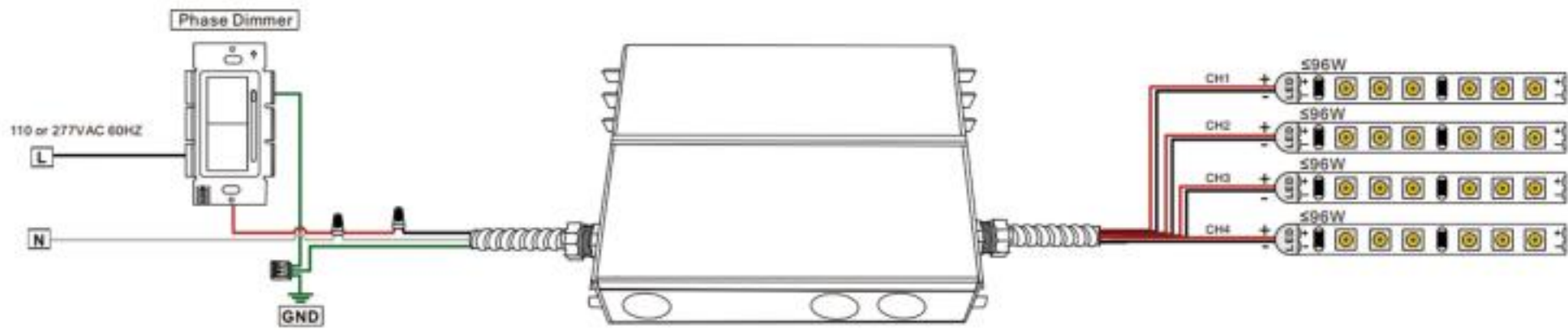
使用0-10V/1-10V调光 (驱动器独立连接输入)



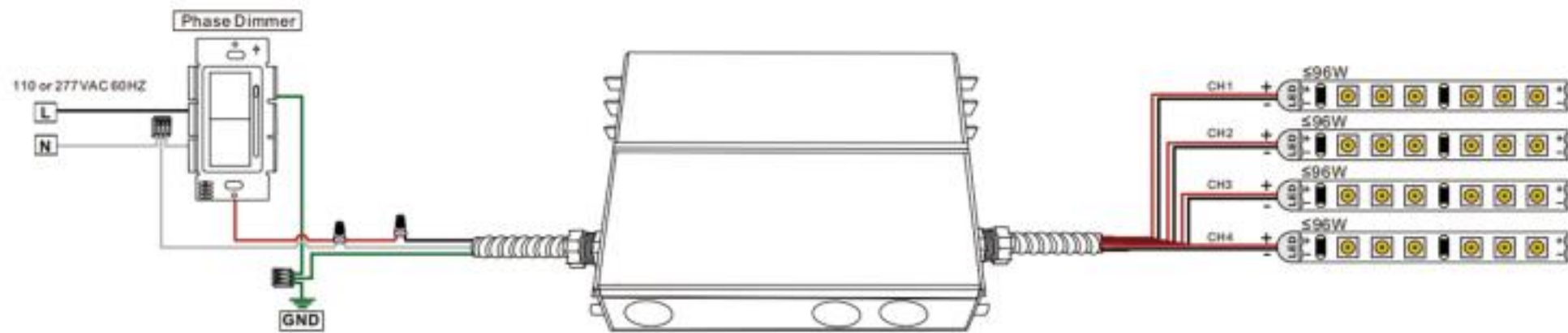
Wiring Diagram (e.g.: Following is the wiring diagram of high power class 2 LED Driver 384W)

接线图 (例如：以下是大功率 Class 2 LED驱动器384W接线图)

1) Using Triac / MLV wiring diagram 使用 Triac/MLV 接线图

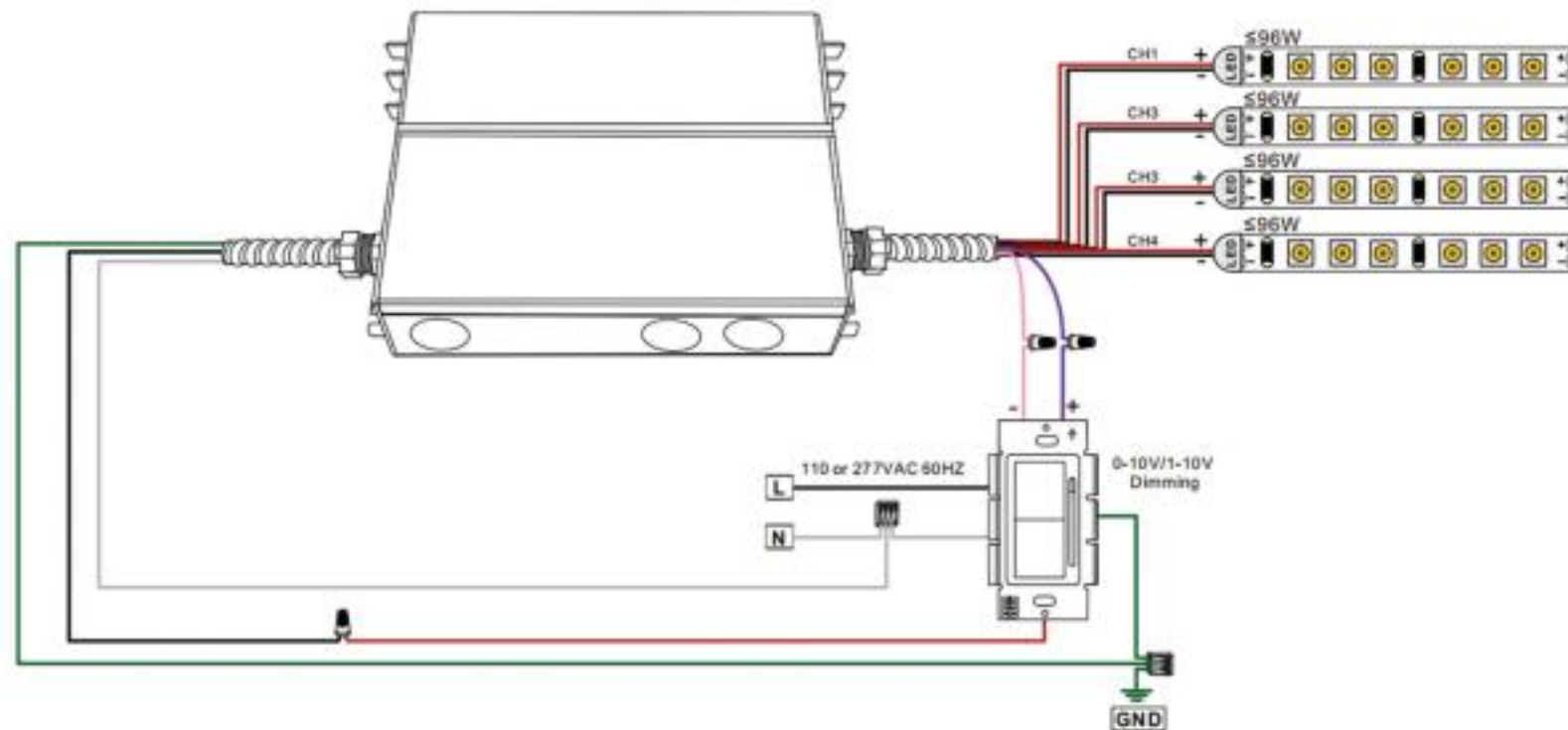


2) Using Triac / ELV wiring diagram 使用 Triac/ELV 接线图



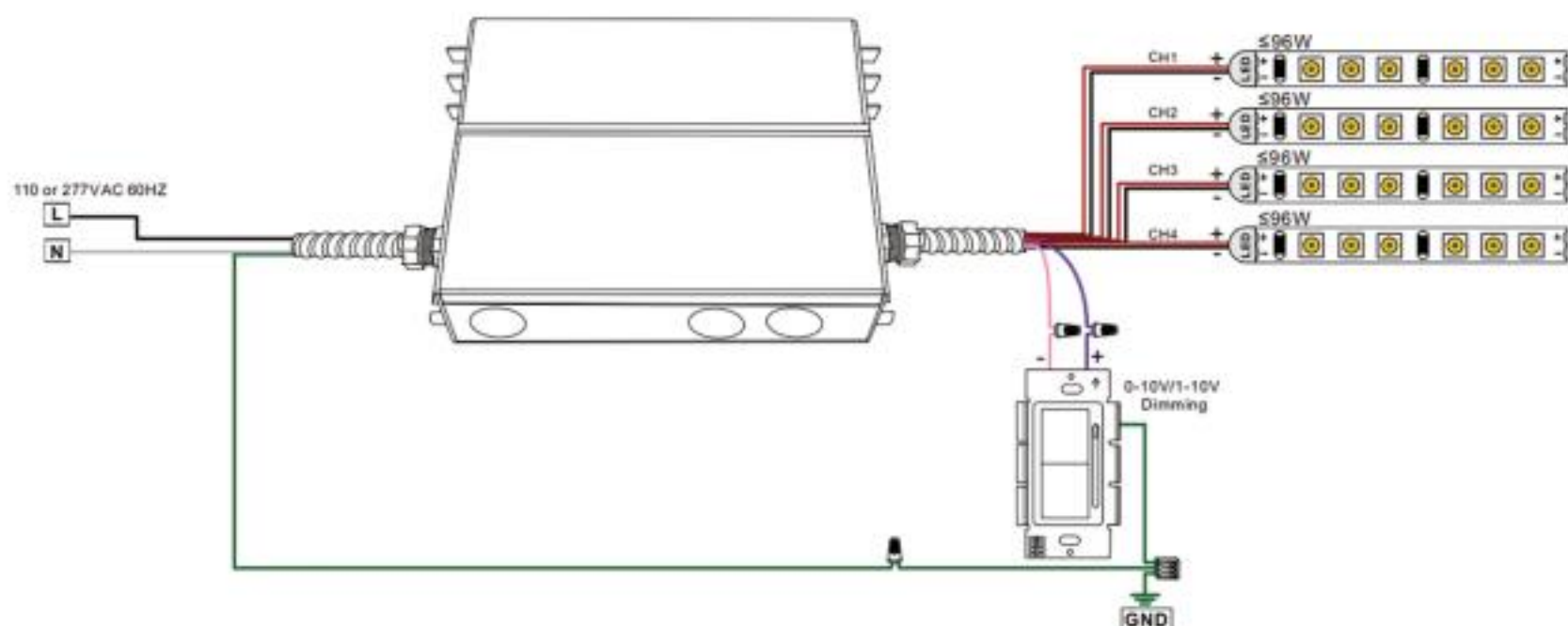
3) Using 0-10V/1-10V Dimming(The drive input is connected to the dimmer)

使用0-10V/1-10V调光 (驱动输入连接调光器)



4) Using 0-10V/1-10V Dimming(The drive is independently connected to the input)

使用0-10V/1-10V调光 (驱动器独立连接输入)





PMA-J Series PMA-H-J Series (Class 2)

5 in 1 (Triac, 0-10V, 1-10V, 10V PWM, Potentiometer) Dim. C.V. J-Box LED Driver

(Output Voltage Fine Tune Available / PWM Output)

可控硅&0-10V (5合1)调光恒压壳机一体电源【PMA-J·PMA-H-J系列】【输出电压可微调/PWM输出】

Features 特性

- ★ Dim-all: Triac/0-10V/1-10V/10VPWM/Potentiometer
- Universal input: 110-277Vac
- ★ Output type: PWM output
- Triac dim mode: Forward phase & reverse phase, MLV, ELV dim
- With unique knob trim voltage function
- Wet, damp, and dry location,
- Title 24 JA8 compliant
- Build in active PFC, typical power factor>0.95, THD<10%@120V Max. load.
- Super low loading request, works perfect at 10-100% load.
- Short-circuit, over-temperature, over-load protection.
- UL cUL listed, Class 2, Class P, FCC, NEMA 4X, RoHs

- ★调光方式: 可控硅/0-10V/1-10V/10V PWM/电阻调光
- 通用输入: 110-277Vac
- ★输出类型: PWM输出
- 可控硅调光模式: 正相和反相、MLV、ELV 调光
- 具有独特的旋钮微调电压功能
- 适用于潮湿和干燥的位置
- 兼容Title 24, JA8标准
- 内置有源PFC, 典型功率因数>0.95, THD<10% @120V Max. load
- 超低负载要求, 在 10-100% 负载下完美运行
- 短路、过温、过载保护
- 认证: UL/cUL, Class 2, Class P, FCC, NEMA 4X, ROHS

Selling Points 卖点

- 1) PWM Output: 4k/HZ Constant frequency (Different frequencies can be customized:250-20000Hz)
- 2) Dimming range: 100%-0.1% Ultra Deep Amplitude
- 3) Works with single channel LED strip/tape and dim-to-warm LED strip/tape (2 wires)
- 4) Exclusive patent design of "Clamshell" junction box (Fixed without screws)

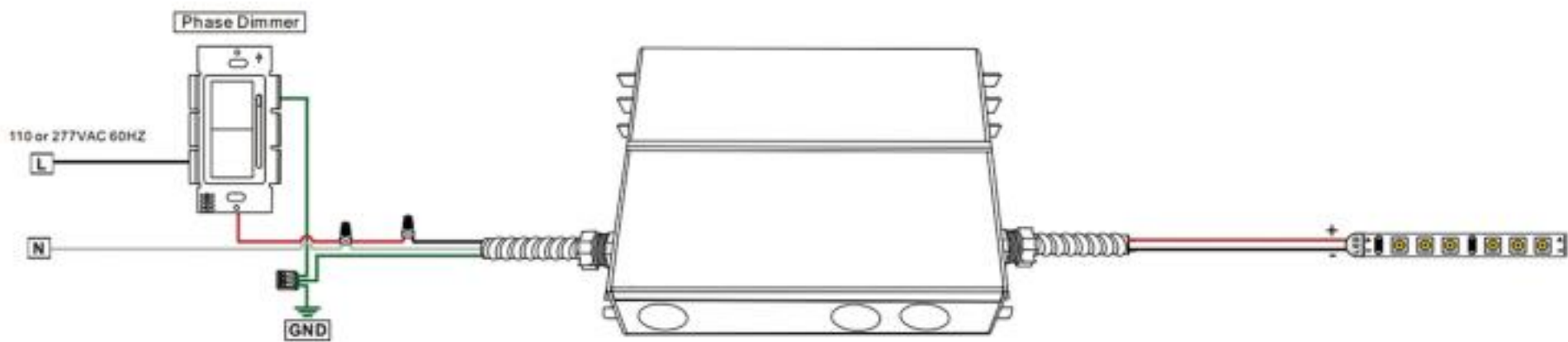
- 1) PWM输出: 4k/HZ恒定频率 (可定制不同频率: 250-20000Hz)
- 2) 调光范围: 100%-0.1%超深幅度
- 3) 适用于单通道 LED 灯条/带和调暗至暖色 LED 灯带/2线芯LED 灯带
- 4) 独家 "Clamshell" 接线盒专利设计 (无需螺丝固定)

Model 型号	Cover Material 外壳材质	Output Voltage 输出电压 (Vdc)	Output Current 输出电流 (Amp)	Output power 输出功率 (Watt)	Product Size 尺寸 (mm)	N/W 净重 (g)
PMA-12030J	Metal Housing (NEMA 4X)	12V(9-13Vadjustable)	2.5A	30W	158*120.5*42	750
PMA-24030J		24V(17-25Vadjustable)	1.25A			
PMA-48030J		48V(36-49Vadjustable)	0.63A			
PMA-12060J		12V(9-13Vadjustable)	5A	60W	158*120.5*42	750
PMA-24060J		24V(17-25Vadjustable)	2.5A			
PMA-48060J		48V(36-49Vadjustable)	1.25A			
PMA-12080J		12V(9-13Vadjustable)	6.6A	80W	188*120.5*42	1100
PMA-24080J		24V(17-25Vadjustable)	3.3A			
PMA-48080J		48V(36-49Vadjustable)	1.66A			
PMA-24096J		24V(17-25Vadjustable)	4A	96W	188*120.5*42	1100
PMA-48096J		48V(36-49Vadjustable)	2A			
PMA-12100J		12V(9-13Vadjustable)	8.33A	100W	188*120.5*42	1100
PMA-24100J		24V(17-25Vadjustable)	4.17A			
PMA-48100J		48V(36-49Vadjustable)	2.08A			
PMA-12120J		12V(9-13Vadjustable)	10A	120W	218*120.5*42	1100
PMA-24120J		24V(17-25Vadjustable)	5A			
PMA-48120J		48V(36-49Vadjustable)	2.5A			
PMA-12150J		12V(9-13Vadjustable)	12.5A	150W	218*120.5*42	1500
PMA-24150J		24V(17-25Vadjustable)	6.25A			
PMA-48150J		48V(36-49Vadjustable)	3.125A			
PMA-12200J		12V(9-13Vadjustable)	16.67A	200W	218*120.5*42	1500
PMA-24200J		24V(17-25Vadjustable)	8.33A			
PMA-48200J		48V(36-49Vadjustable)	4.17A			
PMA-12300J		12V(9-13Vadjustable)	25A	300W	258*120.5*42	1500
PMA-24300J	24V(17-25Vadjustable)	12.5A				
PMA-48300J	48V(36-49Vadjustable)	6.25A				
High Power Class 2			120W-384W			
PMA-H12120J	Metal Housing (NEMA 4X)	12V(9-13Vadjustable)	2CH*5A	2CH*60W	218*120.5*42	1100
PMA-H24120J		24V(17-25Vadjustable)	2CH*2.5A	2CH*60W	218*120.5*42	1100
PMA-H12180J		12V(9-13Vadjustable)	3CH*5A	3CH*60W	218*120.5*42	1100
PMA-H24192J		24V(17-25Vadjustable)	2CH*4A	2CH*96W	218*120.5*42	1100
PMA-H48192J		48V(36-49Vadjustable)	2CH*2A	2CH*96W	218*120.5*42	1100
PMA-H24288J		24V(17-25Vadjustable)	3CH*4A	3CH*96W	258x120.5x42	1500
PMA-H48288J		48V(36-49Vadjustable)	3CH*2A	3CH*96W	258x120.5x42	1500
PMA-H12300J		12V(9-13Vadjustable)	5CH*5A	5CH*60W	258x120.5x42	1500
PMA-H24384J		24V(17-25Vadjustable)	4CH*4A	4CH*96W	258x120.5x42	1500
PMA-H48384J		48V(36-49Vadjustable)	4CH*2A	4CH*96W	258x120.5x42	1500

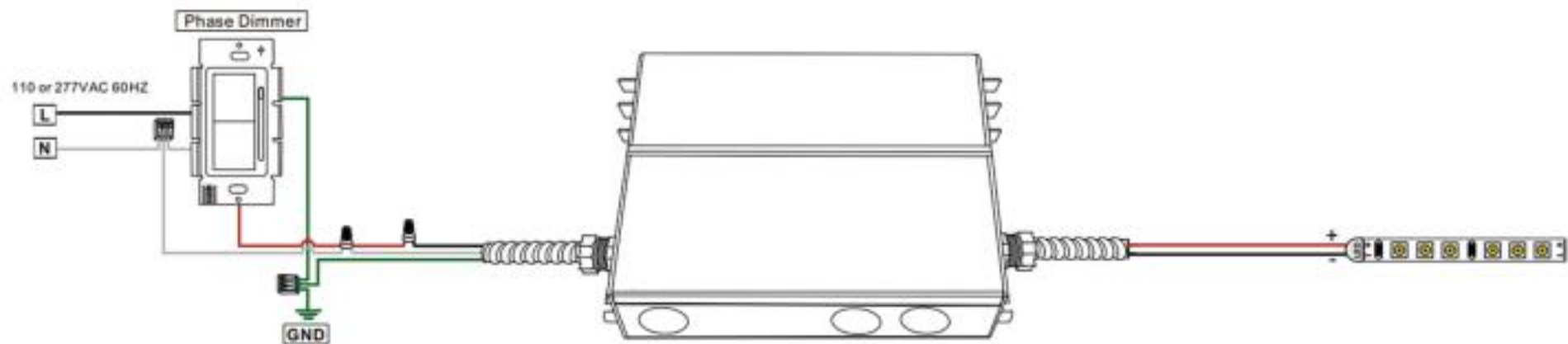
Wiring Diagram (Works with single channel Linear LED strip/tape (2 wires))

接线图 (与单通道线性 LED 灯条/2线芯LED 灯带 配合使用)

1) Using Triac / MLV wiring diagram 使用 Triac/MLV 接线图

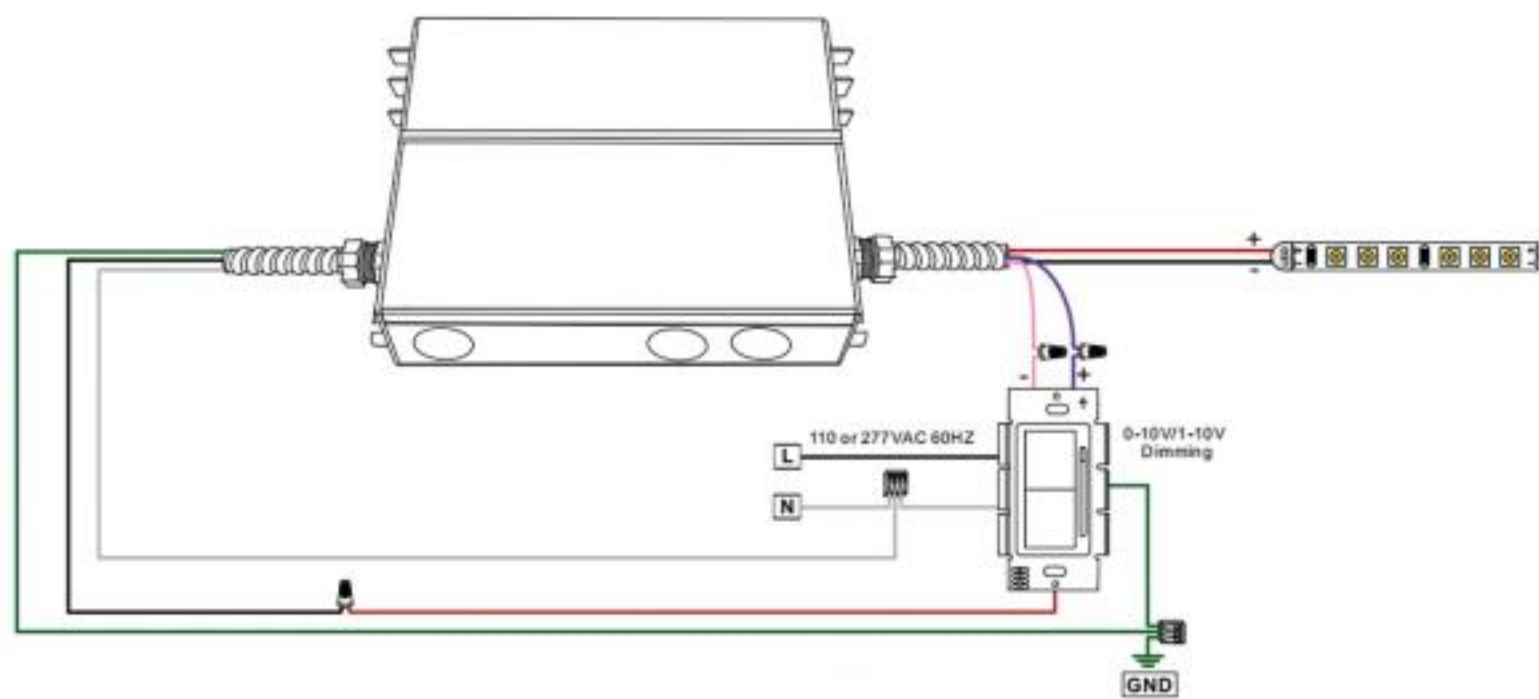


2) Using Triac / ELV wiring diagram 使用 Triac/ELV 接线图



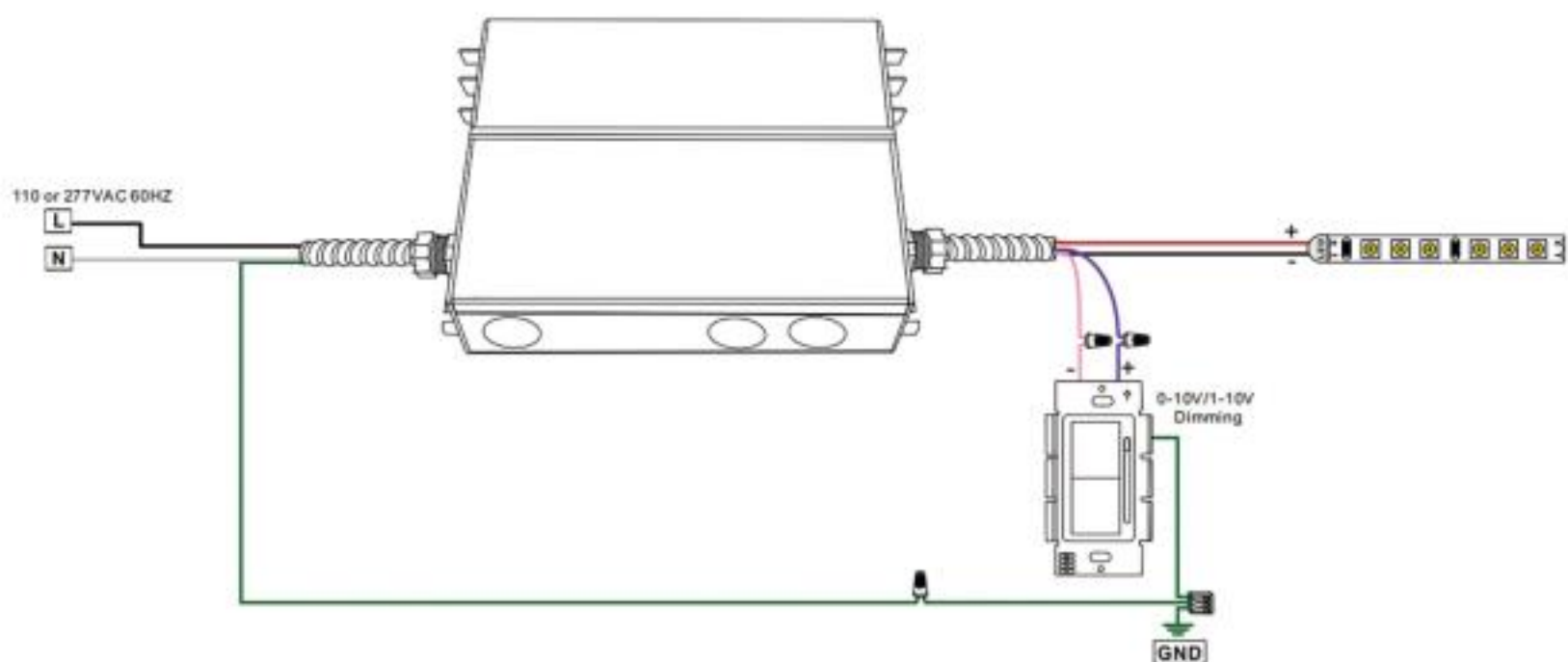
3) Using 0-10V/1-10V Dimming (The driver input is connected to the dimmer)

使用0-10V/1-10V调光 (驱动输入连接调光器)



4) Using 0-10V/1-10V Dimming (The driver is independently connected to the input)

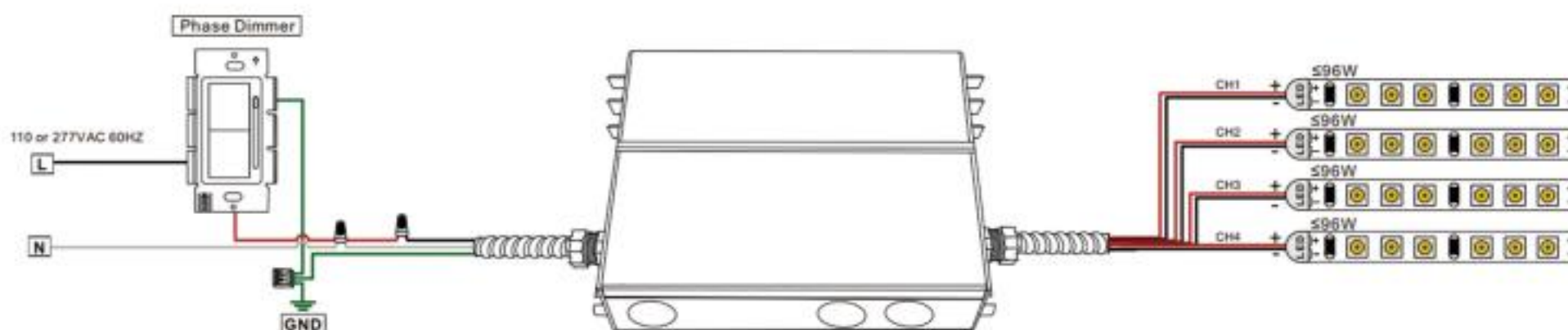
使用0-10V/1-10V调光 (驱动器独立连接输入)



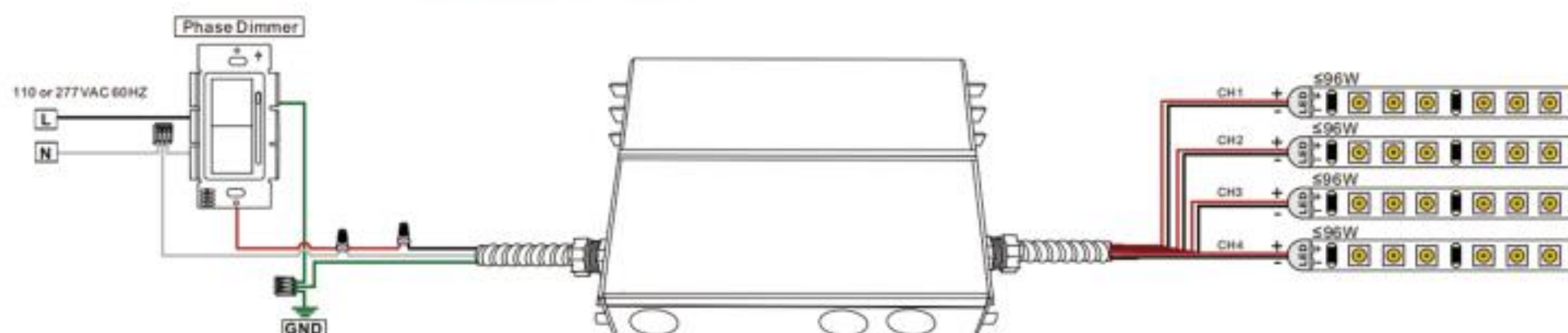
Wiring Diagram (e.g.: Following is the wiring diagram of high power class 2 LED Driver 384W)

接线图 (例如：以下是大功率Class 2 LED驱动器384W接线图)

1) Using Triac / MLV wiring diagram 使用 Triac/MLV 接线图

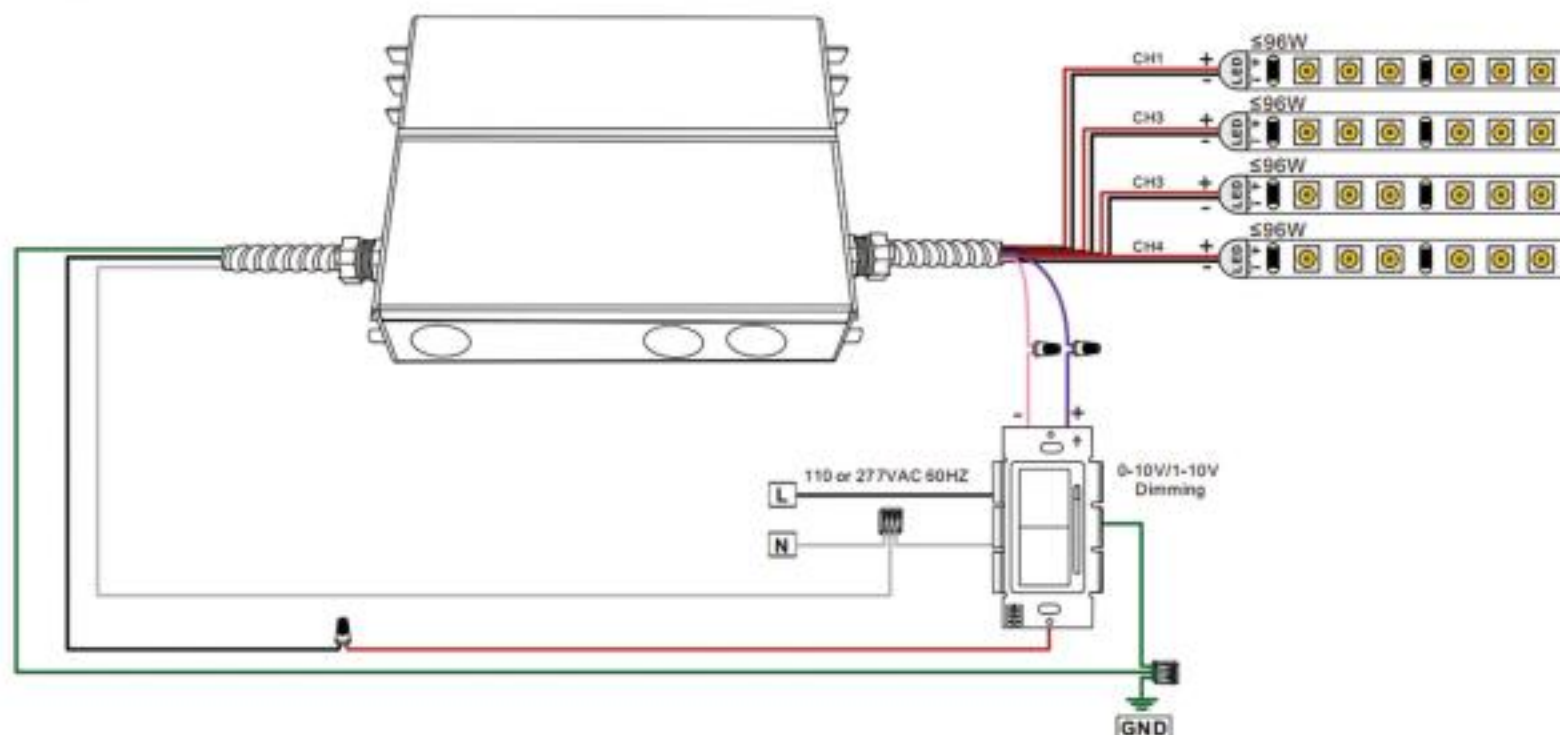


2) Using Triac / ELV wiring diagram 使用 Triac/ELV 接线图



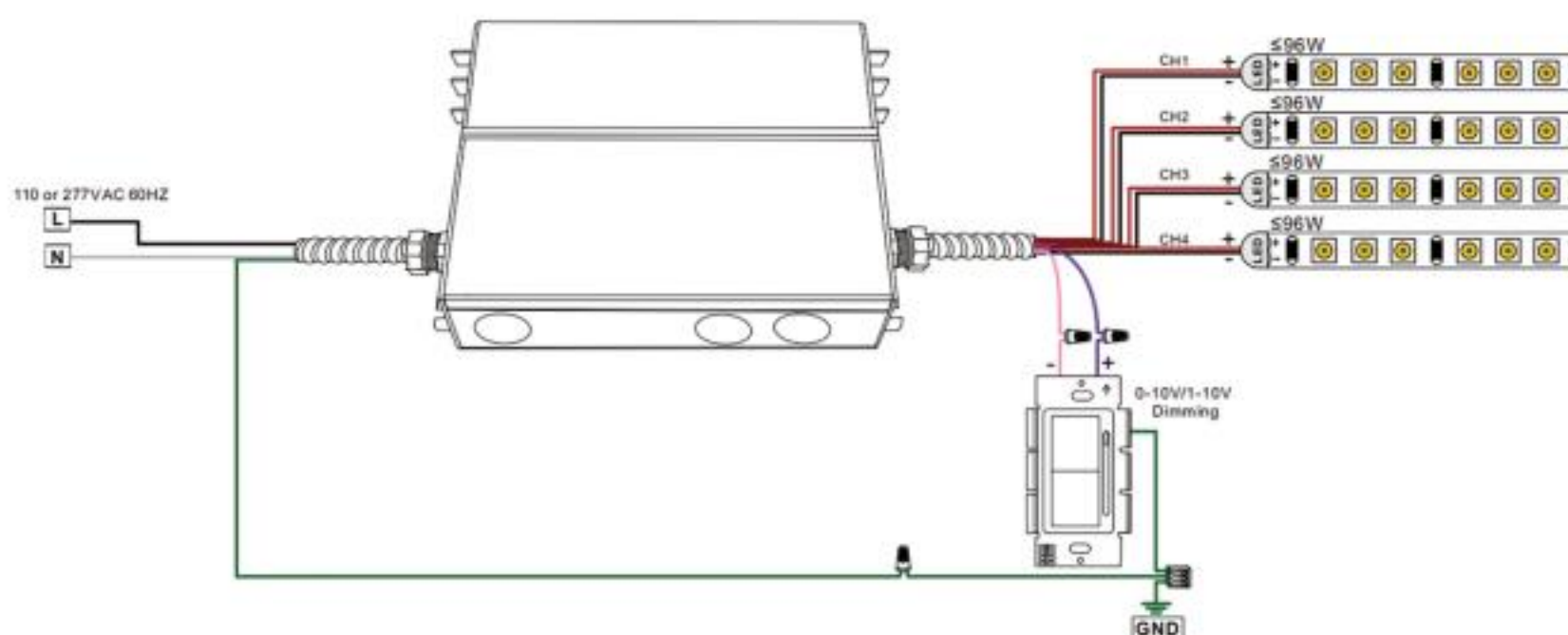
3) Using 0-10V/1-10V Dimming(The drive input is connected to the dimmer)

使用0-10V/1-10V调光 (驱动输入连接调光器)



4) Using 0-10V/1-10V Dimming(The drive is independently connected to the input)

使用0-10V/1-10V调光 (驱动器独立连接输入)





VRA-J Series VRA-H-J Series (Class 2)

5 in 1 (Triac, 0-10V, 1-10V, 10V PWM, Potentiometer) Dim. C.V. J-Box LED Driver

(Output Voltage Fine Tune Available / Voltage Reduce/(VR) output)

可控硅&0-10V (5合1)调光恒压壳机一体电源【VRA-J·VRA-H-J系列】【输出电压可微调/降压/(VR)输出】

Features 特性

- ★ **Dim-all:** Triac/0-10V/1-10V/10VPWM/Potentiometer
- **Universal input:** 110-277Vac
- ★ **Output type:** AM(Amplitude Modulation) output
--Voltage Reduce
- **Triac dim mode:** Forward phase & reverse phase,
MLV, ELV dim
- With unique knob trim voltage function
- Wet, damp, and dry location,
- Title 24 JA8 compliant
- Build in active PFC, typical power factor>0.95,
THD<10%@120V Max. load.
- Super low loading request, works perfect at 10-100% load.
- Short-circuit, over-temperature, over-load protection.
- UL cUL listed, Class 2, Class P, FCC,
NEMA 4X, RoHs

- ★ **调光方式:** 可控硅/0-10V/1-10V/10V PWM/电阻调光
通用输入: 110-277Vac
- ★ **输出类型:** AM(调幅)输出--降压

可控硅调光模式: 正相和反相、MLV、ELV 调光

具有独特的旋钮微调电压功能

适用于潮湿和干燥的位置

兼容Title 24, JA8标准

内置有源PFC, 典型功率因数>0.95, THD<10%
@120V Max. load

超低负载要求, 在 10-100% 负载下完美运行

短路、过温、过载保护

认证: UL/cUL, Class 2, Class P, FCC,
NEMA 4X, ROHS

Selling Points 卖点

- 1) AM(Amplitude Modulation) Voltage Reduce output type
- 2) **Dimming range:** 100%-0.1% Ultra Deep Amplitude
- 3) Works with single channel LED strip/tape and
dim-to-warm LED strip/tape (2 wires)
- 4) Exclusive patent design of "Clamshell" junction box
(Fixed without screws)

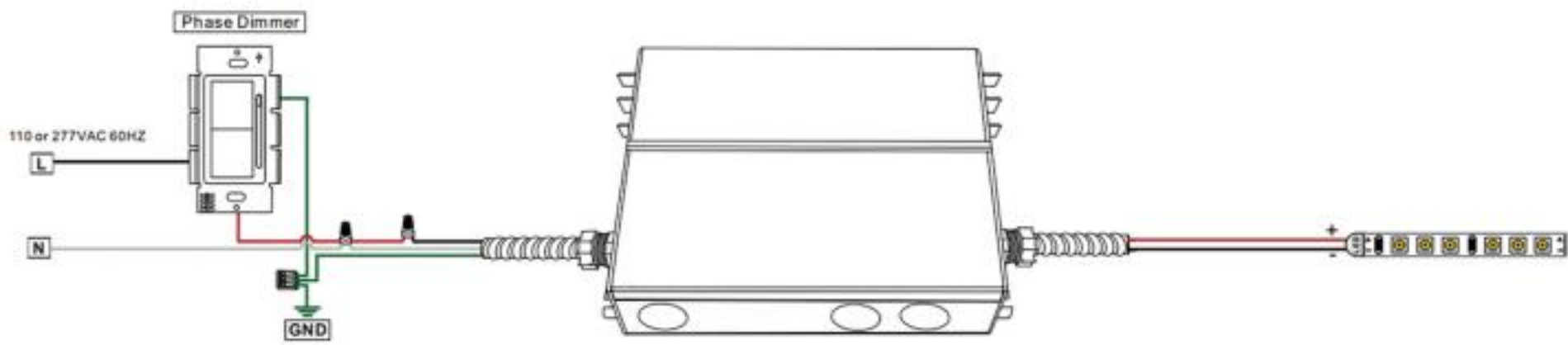
- 1) AM(Amplitude Modulation)电压降低输出型
- 2) **调光范围:** 100%-0.1%超深幅度
- 3) 适用于单通道 LED 灯条/带和调暗至暖色
LED 灯带/2线芯LED 灯带
- 4) 独家 "Clamshell" 接线盒专利设计 (无需螺丝固定)

Model 型号	Cover Material 外壳材质	Output Voltage 输出电压 (Vdc)	Output Current 输出电流 (Amp)	Output power 输出功率 (Watt)	Product Size 尺寸 (mm)	N/W 净重 (g)
VRA-12030J	Metal Housing (NEMA 4X)	12V(9-13Vadjustable)	2.5A	30W	158*120.5*42	750
VRA-24030J		24V(17-25Vadjustable)	1.25A			
VRA-48030J		48V(36-49Vadjustable)	0.63A			
VRA-12060J		12V(9-13Vadjustable)	5A	60W	158*120.5*42	750
VRA-24060J		24V(17-25Vadjustable)	2.5A			
VRA-48060J		48V(36-49Vadjustable)	1.25A			
VRA-12080J		12V(9-13Vadjustable)	6.6A	80W	188*120.5*42	1100
VRA-24080J		24V(17-25Vadjustable)	3.3A			
VRA-48080J		48V(36-49Vadjustable)	1.66A			
VRA-24096J		24V(17-25Vadjustable)	4A	96W	188*120.5*42	1100
VRA-48096J		48V(36-49Vadjustable)	2A			
VRA-12100J		12V(9-13Vadjustable)	8.33A	100W	188*120.5*42	1100
VRA-24100J		24V(17-25Vadjustable)	4.17A			
VRA-48100J		48V(36-49Vadjustable)	2.08A			
VRA-12120J		12V(9-13Vadjustable)	10A	120W	218*120.5*42	1100
VRA-24120J		24V(17-25Vadjustable)	5A			
VRA-48120J		48V(36-49Vadjustable)	2.5A			
VRA-12150J		12V(9-13Vadjustable)	12.5A	150W	218*120.5*42	1500
VRA-24150J		24V(17-25Vadjustable)	6.25A			
VRA-48150J		48V(36-49Vadjustable)	3.125A			
VRA-12200J		12V(9-13Vadjustable)	16.67A	200W	218*120.5*42	1500
VRA-24200J		24V(17-25Vadjustable)	8.33A			
VRA-48200J		48V(36-49Vadjustable)	4.17A			
VRA-12300J		12V(9-13Vadjustable)	25A	300W	258*120.5*42	1500
VRA-24300J	24V(17-25Vadjustable)	12.5A				
VRA-48300J	48V(36-49Vadjustable)	6.25A				
High Power Class 2			120W-384W			
VRA-H12120J	Metal Housing (NEMA 4X)	12V(9-13Vadjustable)	2CH*5A	2CH*60W	218*120.5*42	1100
VRA-H24120J		24V(17-25Vadjustable)	2CH*2.5A	2CH*60W	218*120.5*42	1100
VRA-H12180J		12V(9-13Vadjustable)	3CH*5A	3CH*60W	218*120.5*42	1100
VRA-H24192J		24V(17-25Vadjustable)	2CH*4A	2CH*96W	218*120.5*42	1100
VRA-H48192J		48V(36-49Vadjustable)	2CH*2A	2CH*96W	218*120.5*42	1100
VRA-H24288J		24V(17-25Vadjustable)	3CH*4A	3CH*96W	258x120.5x42	1500
VRA-H48288J		48V(36-49Vadjustable)	3CH*2A	3CH*96W	258x120.5x42	1500
VRA-H12300J		12V(9-13Vadjustable)	5CH*5A	5CH*60W	258x120.5x42	1500
VRA-H24384J		24V(17-25Vadjustable)	4CH*4A	4CH*96W	258x120.5x42	1500
VRA-H48384J		48V(36-49Vadjustable)	4CH*2A	4CH*96W	258x120.5x42	1500

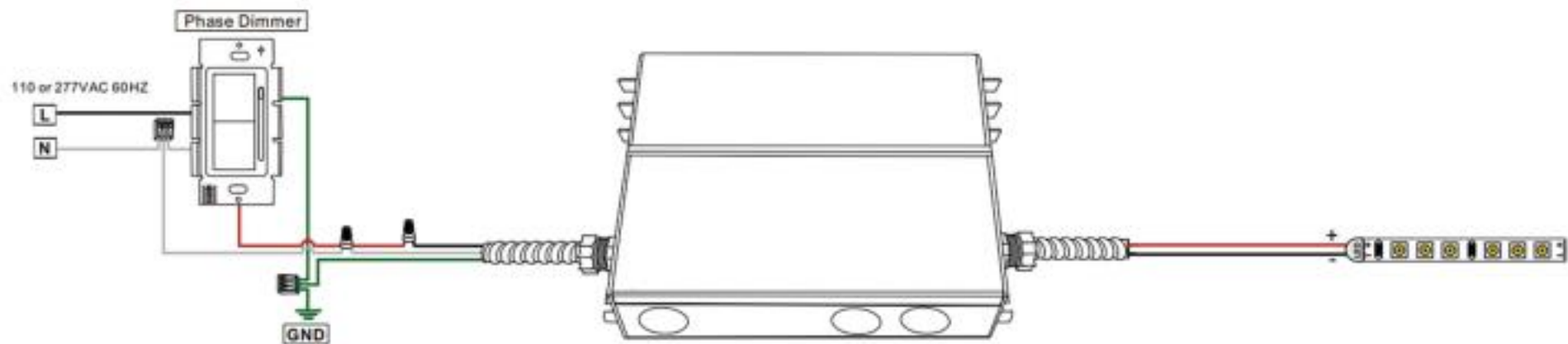
Wiring Diagram (Works with single channel Linear LED strip/tape (2 wires))

接线图 (与单通道线性 LED 灯条/2线芯LED 灯带 配合使用)

1) Using Triac / MLV wiring diagram 使用 Triac/MLV 接线图

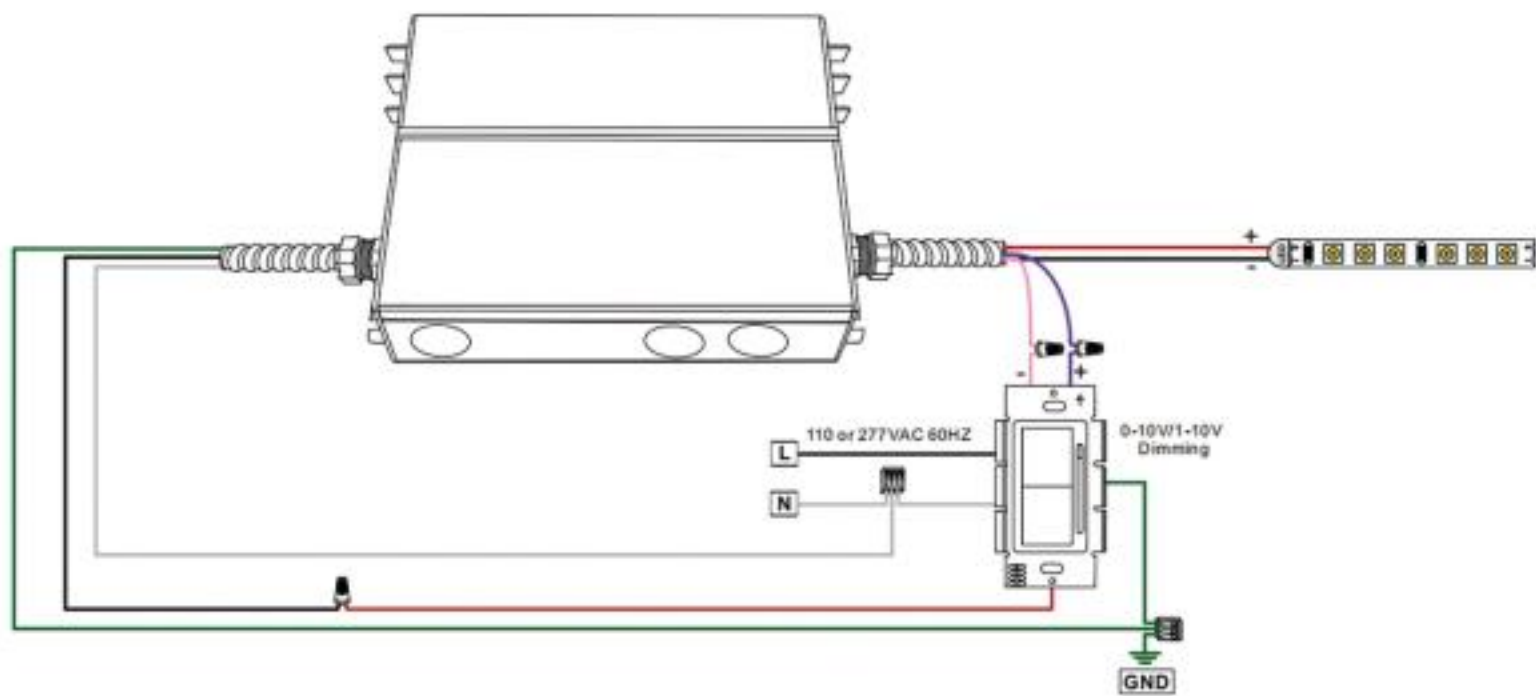


2) Using Triac / ELV wiring diagram 使用 Triac/ELV 接线图



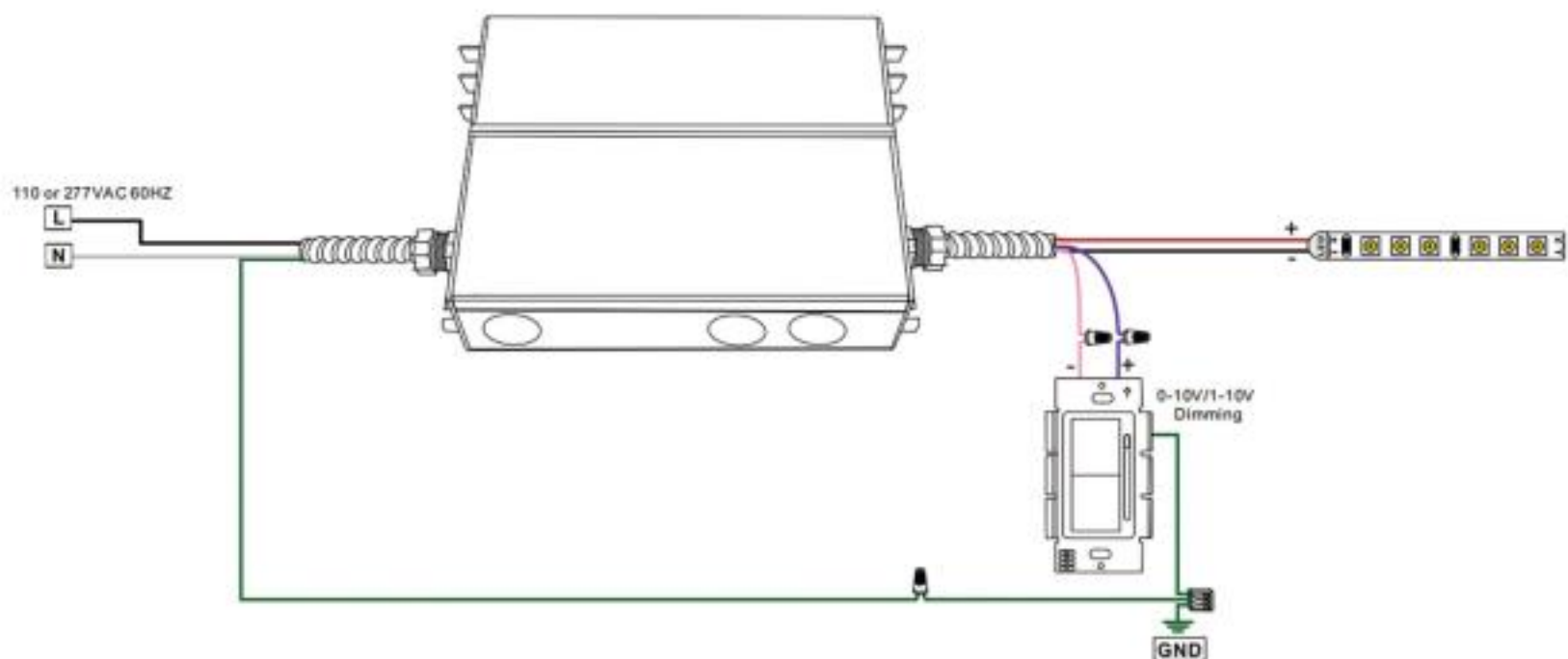
3) Using 0-10V/1-10V Dimming (The driver input is connected to the dimmer)

使用0-10V/1-10V调光 (驱动输入连接调光器)



4) Using 0-10V/1-10V Dimming (The driver is independently connected to the input)

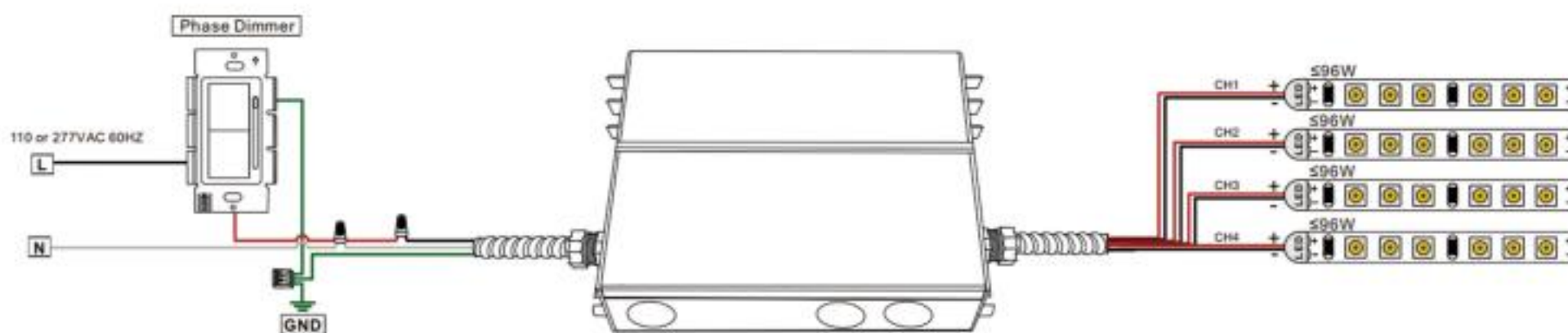
使用0-10V/1-10V调光 (驱动器独立连接输入)



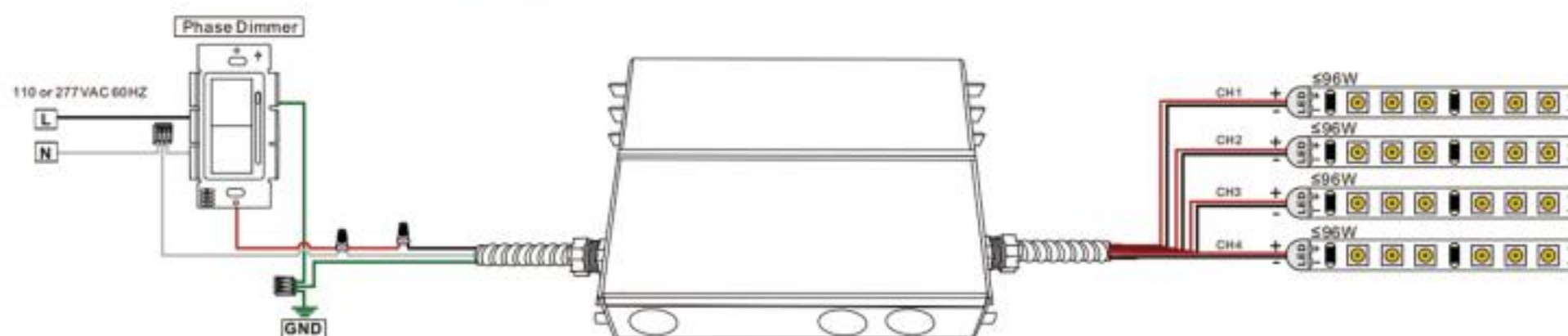
Wiring Diagram (e.g.: Following is the wiring diagram of high power class 2 LED Driver 384W)

接线图 (例如：以下是大功率Class 2 LED驱动器384W接线图)

1) Using Triac / MLV wiring diagram 使用 Triac/MLV 接线图

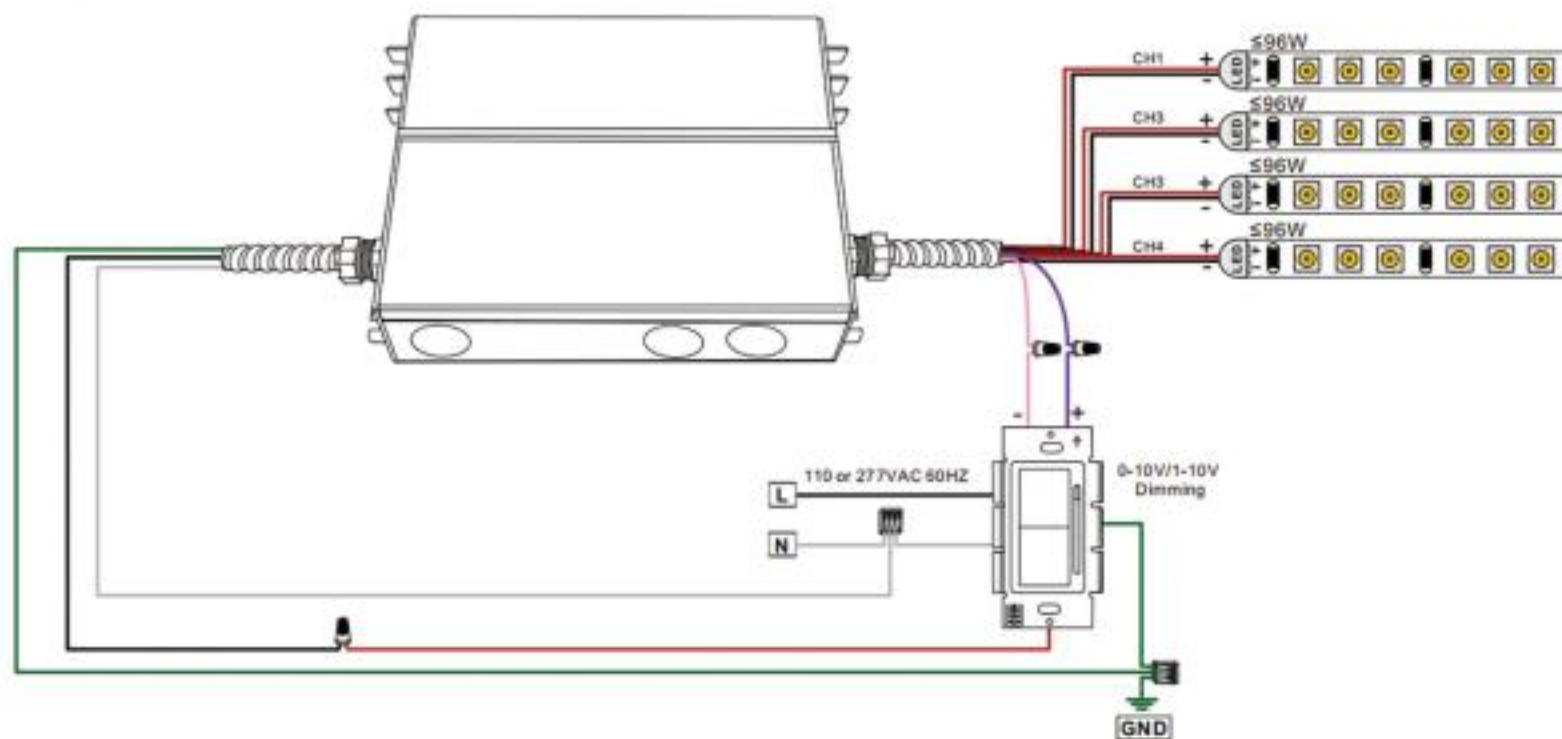


2) Using Triac / ELV wiring diagram 使用 Triac/ELV 接线图



3) Using 0-10V/1-10V Dimming(The driver input is connected to the dimmer)

使用0-10V/1-10V调光 (驱动输入连接调光器)



4) Using 0-10V/1-10V Dimming(The driver is independently connected to the input)

使用0-10V/1-10V调光 (驱动器独立连接输入)

